

oursson 

bon appétit



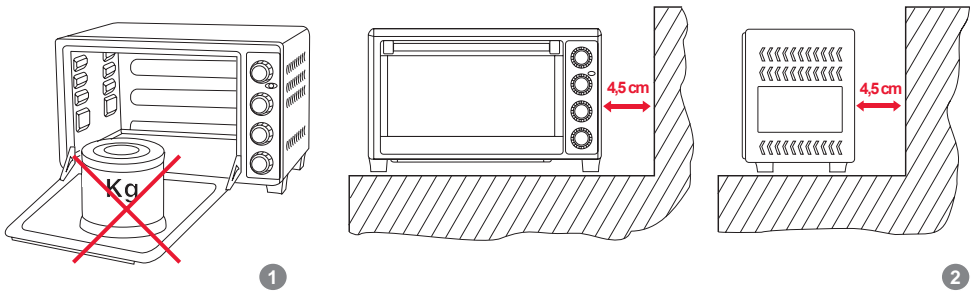
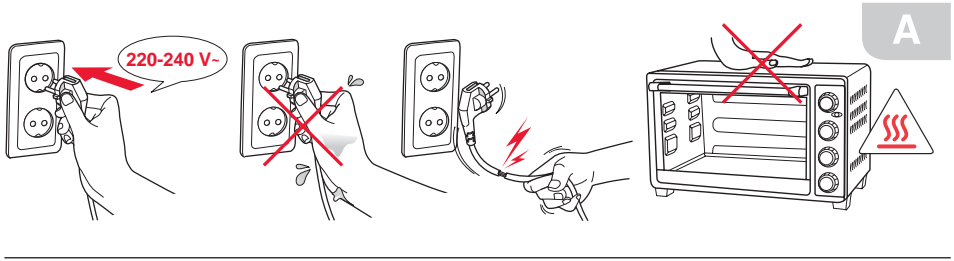
**MO0703 / MO0907**

**EN** Instruction manual

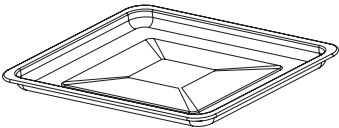
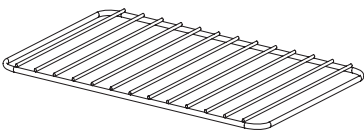
**KZ** Пайдаланушы нұсқаулығы

**RU** Руководство по эксплуатации

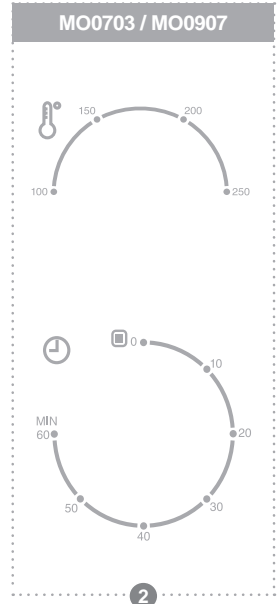
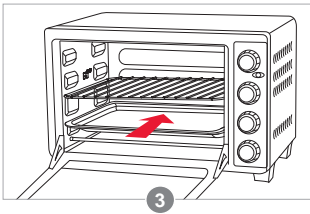
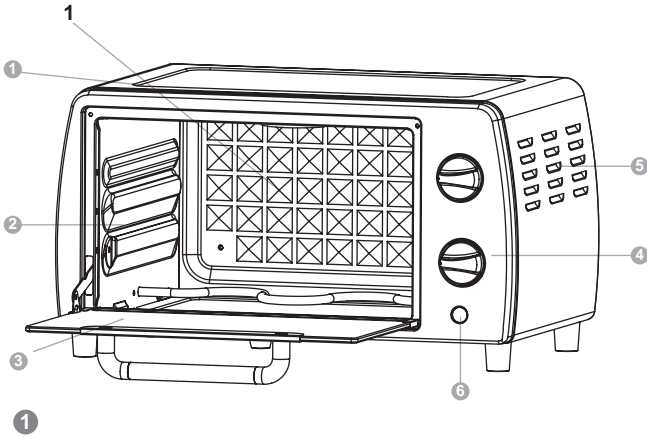
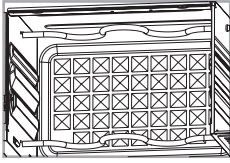







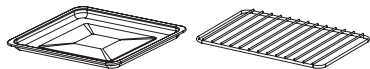
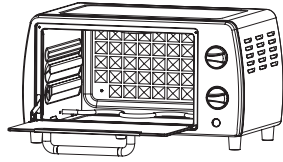
**B**

	MO703	MO907
1 	✓	✓
2 	✓	✓

C



D

			
	✓	✓	✓
	✗	✗	✓

## SAFETY INSTRUCTIONS, Pic. A



### Danger symbol

A reminder to user about high voltage.



### Warning symbol

A reminder to user about the necessity of operating exactly according to the instructions.

When using electrical appliances should take the following precautions:

- Use the device according to the following instructions manual.
- Install the device on a stable surface.
- Use only the tools, which are included in the product set.



- To protect against risk of electrical shock do not put the cord in water or other liquid. If for some reason the water got into the unit, contact an authorized service center (ASC) OURSSON AG.
- For power supply, use a power grid with proper characteristics.
- Do not use the device in areas where the air can contain vapors of flammable substances.



- Never attempt to open the device by yourself – it could possibly be the reason of an electrical shock can lead to product malfunction and will invalidate the manufacturer's warranty. For repair and maintenance, contact only authorized service centers meant for repair of products under the trademark OURSSON.
- When moved from a cool to a warm place and vice versa unpack it before use and wait 1-2 hours without turning it on.



- In order to prevent electrical shock do not immerse the entire product or the wires into the water.
- Be particularly careful and cautious when using the device near children.



- Do not touch any hot parts, as this may cause injury.
- The power cord is specially made relatively short in order to avoid the risk of injury.
- Do not allow the cord to hang over the sharp edge of the table or touch hot surfaces.
- Do not connect this device to a grid which is overloaded with other appliances: it can lead to the fact that the device will not function properly.
- Do not install the device near gas and electric stoves and ovens.
- After use, make sure to disconnect the device from the power grid.
- Keep the device from bumps, falls, vibration and other mechanical influences.
- Make sure to disconnect the device from the power grid before cleaning or changing accessories.
- Do not use the device outdoors.
- This appliance is not intended for use by persons (including children) with reduced physical, sensory or mental capabilities, or lack of experience and knowledge. They can only use the device under the supervision of the person responsible for their safety, or after instruction on the safe use of the device. Do not allow children to play with the product.
- This product is intended only for use in the home.
- If the power cord is damaged, it must be replaced by a specialist from the authorized service center (ASC)



### Risk of burn symbol

Reminder for user of high temperatures.

OURSSON AG to avoid danger.

- Use only the tools, which are included in the product set.
- When cleaning the appliance do not use abrasives and organic cleaners (alcohol, gasoline, etc.). When cleaning the device it is allowed to use a small amount of neutral detergent.

## RECOMMENDATIONS

- Please read the instruction manual before using the device. Keep the manual after reading for further use.
- All illustrations in this manual are schematic representations of real objects, which may differ from the actual images.
- Do not shift the device when utilizing it.
- Use the device only for cooking and heating food.
- Do not use the device as a heat source.
- Do not try to use the device with an open door.
- Use only heat resistant kitchenware, suitable for mini-ovens.
- Do not place into device cans, bottles, tight closed containers and too big objects. This may lead to a personal injury or breakage of the device.
- Do not place raw meat / fish directly onto the grid, because fat and oil can ignite. Use a baking mold, wrapping products beforehand. Make sure that foil isn't contacting with the heating elements.
- When using foil, place the pan on a medium or low level.
- Do not leave the working device unattended.
- Do not put in/on the device paper, cardboard, plastic, towels, etc., as this can cause a fire.
- Do not touch the body or the door when the device is working or immediately after its use. The surface of the device heats up which may lead to burns.
- Use potholders or oven gloves to take the product out of the oven.
- While using the device do not slam the door, do not put trays or other objects on the door, avoid contact of cold water with the heated open door. Pic. A-1.
- If while preparing, food caught on fire or began to emit smoke, turn off the device and unplug it. Do not open the door until fire is stopped, because the oxygen supply will intensify the flame. Do not pour water over the device, the glass may crack.



The operation of this device in any case does not imply application of any force to it, as this may damage the product due to user fault.

## SETTING, Pic. A-2

- Place the device on a flat horizontal heat resistant surface, high from children's reach, keeping the distance from walls/furniture as shown in the picture

EN

A-2. One side must be completely free. **It is forbidden to embed this device.**

- Do not place the working device under/near curtains or other flammable materials, as this may cause a fire.

## PRODUCT SET, Pic. B

Body.....	1 pc.
① Pan.....	1 pc.
② Grid.....	1 pc.
Instructions manual .....	1 pc.
Warranty card .....	1 pc.

## ELEMENTS OF DESIGN, Pic. C-1

- Door handle
  - Slots for grid and pans
  - Door
  - Control panel
  - Ventilation openings
  - Operation indicator
- Upper and lower heating elements, Pic. C-1-1

## UTILIZATION

### Control panel, Pic. C-2

#### Temperature regulator

- Adjusting the temperature from 100°C to 250°C

#### Timer

- Timer, time selection from 0 up to 60 minutes.
- STOP** position, utilized for stopping the cooking process.

## Preparation for operation

**Before first use**, wipe the body with a soft, dry cloth. Wash the other parts with warm water and detergent. Before assembling or disassembling the make sure that the device is unplugged. Thoroughly dry all parts. Turn on the empty device for 15 minutes, set the maximum temperature of 250 °C, to remove the smell of a new device. Ventilate the room. Allow the device to cool.

## Order of operation, Pic.C-2

- Make sure that the crumb tray is completely installed, and timer knob (⌚) is set in the (■) position. Plug in the device.
  - Set the required temperature with the (⊕) regulator.
  - Turn on the timer (⌚) for 5 minutes. Timer knob will turn automatically in the cooking process.
  - Place prepared beforehand products on the pan/grid/spit. Do not place products closer than 2 cm. from the heating elements.
  - Carefully install grid, pan into the device, Pic. C-3. Close the door.
  - Turn on the timer (⌚), setting the required time. It isn't recommended to open the door in the preparation process.
- NOTE:** When the device is working, the inner backlight and operation indicator (⊕), Pic. C-1.
- When the preparation process is completed, the timer (device) turns off automatically, you will hear a sound signal. Set all the regulators into the (■) position.
  - Carefully open the door and take out prepared product with the help of potholders.

## RECOMMENDATION ON PREPARATION

Product name		Temperature	Cooking time	Note
Meat	Pork	200°C	35-40 min.	Marinate before cooking, cut into small pieces (3x3x3 cm).
	Beef/Lamb	200°C	40-45 min.	Marinate before cooking, cut into small pieces (3x3x3 cm).
Meat semifinished products	Sausages	160°C	15-20 min.	Make a small cut line.
	Hotdogs	160°C	15-20 min.	Remove the sausage skin.
	Beefsteak	160°C	15- 20 min.	Make small cut lines (mesh), rub with salt, spices and herbs.
Poultry	Fillet	160°C	25-30 min.	To preserve juiciness use a baking sleeve. Rub with salt, spices and herbs.
	Drumstick	160°C	25-30 min.	To preserve juiciness use a baking sleeve. Rub with salt, spices and herbs.
	Wings	180°C	15-20 min.	Rub with salt, spices and herbs.
	Whole leg	160°C	25-30 min.	Rub with salt, spices and herbs. Pour 150 ml of water into the pan.

Fish	130°C	15-20 min.	Cut the bread into cubes (1x1x1 cm). Before cooking sprinkle with vegetable oil, salt, pepper and herbs.	
Toasts	180°C	7-10 min.	Before preparation brush the toasts with butter.	
French toast	120°C	15-20 min.	Cut the bread into cubes (1x1x1 cm). Before cooking sprinkle with vegetable oil, salt, pepper and herbs.	
Fried potatoes	150°C	25-30 min.	Cut the potatoes into strips (0.5x0.5x4 cm). Season with salt and add onion at the end of cooking.	
Vegetables	100°C	30-35 min.	Cut the vegetables. Use a heat resistant container.	
Baking	Pie	120°C	30-35 min.	Use a round baking mold with high ends.
	Cookies	160°C	15-20 min.	Use a baking sheet.
	Cupcake	100°C	30-35 min.	Use a cupcake mold.
Lasagna	100°C	25-30 min.	Pour 150 ml of water into the pan	
Casseroles - Vegetable, curd, meat, potatoes.	100°C	30-35 min.	Use a heat-resistant container. Rup the top with a mix of cream and eggs.	

**NOTE:** Cooking time and temperature in the table are advisory in nature and can vary depending on the recipe.

## DISPOSAL

- Before disposing of the old device, for safety, cut the cord to prevent further use.

- Wash the grid, pan in a warm sippy water. They can be washed in a dishwasher. **The temperature in the dishwasher must not exceed 60°C.**

- Wipe the body of the device, crumbs tray and inner surface (besides heating elements) with a damp soft cloth.



- Never immerse the motor unit into the water because of the danger of electric shock.

- Thoroughly dry all parts.

## CLEANING AND MAINTENANCE, Pic. D



- Unplug the device.
- Let the device to cool, before cleaning it.

## PRODUCT CERTIFICATION

For information on product certification, see <http://www.oursson.com> or ask seller for a copy.

Specifications		
MODEL	MO0703	MO0907
Volume, L	7	9
Pan size, mm (LxW)	230x143	250x175
Power consumption, W	Max 600	Max 800
Rated voltage	220-240 V~ ; 50/60Hz	
Storage and transportation temperature	up -25°C to +35°C	
Operating temperature	up 5°C to 35°C	
Storage, transportation and operation humidity requirements	15-75% without condensate	
Class of protection	I	
Dimensions, mm (HxWxL)	324x198x244	371x205x275
Weight, kg	2,0	2,6

Products must be stored in dry, ventilated warehouses at a temperature not lower than -25° C.



Only a qualified specialist of an authorized service center OURSSON AG can repair the device

## SERVICING

Company OURSSON AG expresses great appreciation to you for choosing our products. We have done everything possible so that this meets your needs, and the quality corresponds to the best world standards. If your OURSSON branded product will need maintenance, please contact one of the authorized service center (hereinafter - ASC). A complete list of ASC and their exact addresses can be found on the website [www.oursson.com](http://www.oursson.com).

### Warranty obligations OURSSON AG:

1. Warranty obligations OURSSON AG, provided ASC OURSSON AG, apply only to models designed OURSSON AG for the production or supply and sale within the country where the warranty service is provided, purchased in this country, certified for compliance with the standards of this country, and also marked the with official marks of conformity.
2. Warranty obligations OURSSON AG operate within the law on protection of consumer rights and are regulated by the laws of the country in which they are provided, and only when the product is used exclusively for personal, family or household purposes. Warranty obligations OURSSON AG shall not apply to uses of goods for business purposes or in connection with the acquisition of goods to meet the needs of enterprises, institutions and organizations.
3. OURSSON AG sets for its products the following terms of use and warranty periods:

Product name	Terms of use, months	Warranty Period, months
Microwave ovens breadmakers, induction hobs Multicookers, kitchen, processors, electric kettles, electric grills, hand blenders, hand mixers, meat grinders, blenders, toasters, airpots, toasters, juicers, steamers, coffee makers, choppers, freezers, refrigerators, automatic coffee machines, milk frother Kitchen scales	60	24

4. Warranty obligations OURSSON AG shall not apply to the following products, if their replacement is assumed and is not connected with disassembling products:
  - Batteries.
  - Cases, straps, cords for carrying, mounting accessories, tools, documentation that came with the product.
5. Warranty does not cover defects caused due to violations of the rules of consumer use, storage or transportation of the goods, actions of third parties or force majeure, including but not limited to the following cases:

- If the defect was a result of careless handling, used for other purposes, violations of conditions and rules of operation set forth in the instruction manual, including as a result of exposure to high or low temperatures, high humidity or dust, traces of opening the device independently and/ or self-repair, mismatch state standards for power grids, getting liquids, insects or other foreign objects, substances inside the device, as well as long-term use of the product in extreme operational modes.
  - If the defect of the product was a result of unauthorized attempts to test the product or make any changes in its construction or software programs, including repair or maintenance in unauthorized service centers.
  - If the defect of the product was a result of use of non-standard and/or low quality equipment, accessories, spare parts, batteries.
  - If the defect of the product is associated with its use in conjunction with additional equipment (accessories), other than additional equipment recommended by OURSSON AG for use with this product. OURSSON AG is not responsible for the quality of the additional equipment (accessories) manufactured by third parties, for the quality of its products together with such equipment, as well as the quality of the work of the additional equipment of OURSSON AG together with the products of other manufacturers.
6. Product defects detected during the lifetime of the product are eliminated by the authorized service centers (ASC). During the warranty period, elimination of defects is free of charge with the presentation of the original certificate of guarantee and documents that confirm the fact and date of the contract of retail purchase. In the absence of such documents, warranty period is calculated from the date of manufacture of goods. It should be taken into account:
    - Setup and Installation (assembly, the connection, etc.) of the product described in the documentation attached to it, does not enter the scope of warranty OURSSON AG and can be performed by the user as well as the specialists of most authorized service centers on a paid basis.
    - Work upon maintenance of products (cleaning and lubricating the moving parts, replacement of consumables and supplies, etc.) are made on a paid basis.
  7. OURSSON AG is not responsible for any damage directly or indirectly caused by their products to people, pets, property, if it occurred as a result of non-observance of the rules and conditions of use, storage, transportation or installation of the product, intentional or negligent actions of consumer or third parties.



- Under no circumstances, OURSSON AG is not responsible for any special, incidental, indirect or consequential loss or damage, including but not limited to: lost profits, damages caused by interruptions in the commercial, industrial or other activities, arising from the use of or inability to use the product.
- Due to continuous product improvement, design elements and some technical specifications are subject to change without prior notice from the manufacturer.

#### Using the product when after the terms of use (lifetime):

- Lifetime set by OURSSON AG for this product applies only when the product is used exclusively for personal, family or household needs, as well as the consumer observes the correct operation, storage and transportation of products. Under the condition of careful handling of the product and compliance with the rules of operation the actual life may exceed the lifetime set by OURSSON AG.
- At the end of the product lifetime, you should contact an authorized service center for to conduct a preventive maintenance of the product and determine the suitability for further use. Work on conducting a preventive maintenance of the products is also made in service centers on paid basis.
- OURSSON AG does not recommend the use of this product after the end of its lifetime without its preventive maintenance by the authorized service center, since in this case, the product can be dangerous to the life, health or property of the consumer.

#### Product Recycling and Disposal

This appliance has been identified in accordance with the European directive 2002/96/EG on Waste Electrical and Electronic Equipment – WEEE.

After the expiration of the lifetime, the product cannot be disposed with another household waste. Instead, it shall be deposited in the appropriate recycling collection point for electrical and electronic equipment for proper treatment and disposal in accordance with federal or local law. By disposing

correctly this product, you will help to conserve natural resources and preventing the product from damaging the environment and human health. For more information on the collection point and recycling of this product, please contact your local municipal authorities or the enterprise for household waste disposal.



#### Date of manufacture

Each product has a unique serial number in the form of alphanumeric row and is duplicated with a barcode that contains the following information: name of the product group, date of manufacture, serial number of the product. Serial number is located on the rear of the product, on the package and the warranty card.



- The first two letters – correspondence to the product group (mini oven – MO).
- The first two digits – year of manufacture.
- The second two digits – month of manufacture.
- The last two digits – serial number of product.



To avoid misunderstandings, we highly recommend you to read carefully the instruction manual and the warranty obligations. Check the correctness of the warranty card. Warranty card is valid only if the following are correctly and clearly stated: model, serial number, date of purchase, clear stamps, buyer's signature. The serial number and the model of the device must be the same as in the warranty card. If these conditions are not fulfilled or the data specified in the warranty card was changed, the warranty card is invalid.

# oursson

If you have questions or problems with OURSSON AG products – please contact us by e-mail: [support@oursson.com](mailto:support@oursson.com)

This manual is under protection of international and EU copyright law. Any unauthorized use of the instructions, including copying, printing and distribution, but not limited to, involves the application of the guilty person to civil liability and criminal liability.

Contact information:

- Manufacturer of goods - OURSSON AG (Orson AG), Rue du Grand-Chêne 5, 1003 Lausanne, Switzerland.
- Certification information product available on the website [www.oursson.com](http://www.oursson.com).

OURSSON AG  
Made in China

## ҚАУІПСІЗДІК ЖӨНІНДЕГІ НҰСҚАУЛЫҚ, А СУР.



### Қауіптілік символы

Пайдаланушыға жоғары кернеу туралы ескерту.



### Ескерту символы

Нұсқаулыққа сәйкес барлық әрекеттерді жүргізу қажеттілігі туралы пайдаланушыға ескерту.

Электр аспаптарын пайдалану кезінде келесі сақтық шараларын сақтау керек:

- Аспапты осы пайдалану нұсқаулығына сәйкес пайдаланыңыз.
- Аспапты орнықты бет үстіне орнатыңыз.
- Құрылғы жиынтығына кіретін керек-жарақтарды ғана пайдаланыңыз.



- Өрт немесе электр тогының соғу қаупін болдырмау үшін құрылғыға су тиюіне және құрылғыны жоғары ылғалдылық жағдайында пайдалануға жол бермеңіз. Егер қандай да бір себептермен құрылғы ішіне су кірсе, уәкілетті қызмет көрсету орталығына (USC) хабарласыңыз.

- Аспаптың электрмен жабдықтау үшін тиісті сипаттамалары бар электр желісін пайдаланыңыз.
- Аспапты ауада тез тұтанатын заттардың буы болуы мүмкін орынжайларда пайдаланбаңыз.



- Ешқашан өз бетімен құрылғыны ашаңыз – бұл электр тогының соғу себебі болуы, аспаптың істен шығуына әкелуі мүмкін және өндірушінің міндеттемелерінің күшін жояды. Жөндеу және техникалық қызмет көрсету үшін тек OURSSON сауда маркасының өнімдерін жөндеуге уәкілетті қызмет көрсету орталықтарына хабарласыңыз.

- Құрылғыны салқын бөлмеден жылы бөлмеге және керісінше жылжитқан кезде, оны қолданудан бұрын ашыңыз және қоспай, 1-2 сағат күтіңіз.



- Электр тогының соғу қаупіне жол бермеу мақсатында, сымдардың немесе бүкіл бұйымның суға батырылуына жол бермеңіз.
- Егер жұмыс істеп тұрған аспаптың жанында балалар болса, ерекше сақ және мұқият болыңыз.
- Аспаптың ыстық бетіне қол тигізбеңіз, бұл жарақатқа әкелуі мүмкін.
- Қорек бауын үстелдің өткір жиегінен немесе қыздырылған бет үстілеріне тигізбеңіз.
- Сымды үстелдің өткір жиегінен салбырауына немесе қыздырылған бет үстілеріне тиюіне жол бермеңіз.
- Бұл аспапты басқа электр құрылғыларымен шамадан тыс жүктелген желіге қоспаңыз: бұл құрылғының дұрыс жұмыс істеуіне әкелуі мүмкін.
- Өнімді газ және электр плиталарына, сондай-ақ пештерге жақын орнатпаңыз.
- Аспап қорек бауы зақымдалған кезде, сондай-ақ өнімнің қалыпты жұмысы бұзылған жағдайда, егер аспап құлап кетсе немесе басқа жолмен зақымдалса, пайдаланбаңыз.
- Өнімді желіден ажыратқан кезде, штепсельді ғана ұстаңыз, сымнан ұстап тартпаңыз – бұл сымның немесе розетканың зақымдалуына және қысқа тұйықталуға әкелуі мүмкін.



### Күйіп қалу қаупінің белгісі

Пайдаланушының еске салғышы жоғары температура туралы.

- Пайдалану аяқталған соң, бұйымды желіден ажыратыңыз.
- Құрылғыны соққылардан, құлаудан, дірілден және басқа механикалық әсерлерден қорғаңыз.
- Жууды бастар алдында, құрылғыны міндетті түрде желіден ажыратыңыз.
- Бұйымды бөлмеден тыс пайдаланбаңыз.
- Бұл аспап физикалық, сенсорлық немесе ақыл-ой қабілеттері шектеулі немесе тәжірибесі мен білімі жоқ адамдарға (соның ішінде балаларға) қолдануға арналмаған. Олар аспапты олардың қауіпсіздігіне жауапты адамның бақылауымен немесе аспапты қауіпсіз пайдалану туралы нұсқаулықтан кейін ғана пайдалана алады. Балалардың бұйыммен ойнауына рұқсат бермеңіз.
- Бұл өнім тек күнделікті өмірде пайдалануға арналған.
- Аспапты тазалау кезінде абразивті материалдар мен органикалық тазартқыш заттарды (спирт, бензин және т.б.) пайдаланбаңыз. Құрылғының корпусын тазарту үшін аз мөлшерде бейтарап жуғыш затты қолдануға рұқсат етіледі.

### ҰСЫНЫМДАР

- Аспапты пайдаланар алдында, пайдаланушының нұсқаулығымен мұқият танысып шығыңыз. Оқып шыққан соң, оны бөлшектендірілген пайдалану үшін сақтап қойыңыз.
- Осы нұсқаулықта келтірілген барлық иллюстрациялар нақты объектілердің схемалық бейнелері болып табылады, олар нақты бейнелерден ерекшеленуі мүмкін.
- Аспапты пайдалану кезінде жылжитпаңыз.
- Аспапты тамақ дайындау мен қыздыру үшін ғана пайдаланыңыз.
- Аспапты жылу көзі ретінде пайдаланбаңыз.
- Аспап жұмыс істеп тұрғанда, есігін ашық қалдырмаңыз.
- Шағын тұмшاپешке лайықты термотөзімді ыдысты ғана пайдаланыңыз.
- Аспапқа консерві баншаларын, бөтелкелерді, сондай-ақ нығыздап жабылған сыйымдылықтар мен тым ірі өнімдерді салмаңыз. Бұл жарақатқа немесе аспаптың бұзылуына алып келуі мүмкін.
- Шикі етті/балықты тікелей торға салмаңыз, өйткені тоң май мен май тұтануы мүмкін. Өнімді алдын ала фольгаға орап, пісіруге арналған қалыпты пайдаланыңыз. Фольганың қыздыру элементтеріне тиіп тұрмағанына көз жеткізіңіз.
- Фольганы пайдаланған кезде, қаңылтыр табаны орта деңгейге орналастырмаңыз.
- Жұмыс істеп тұрған аспапты қараусыз қалдырмаңыз.
- Аспаптың ішіне/үстіне қағаз, картон, пластик, сүлгі және т.б. қоймаңыз, өйткені бұл өрт тудыруы мүмкін.



- Тұшпапештен өнімді алу үшін, қармағышты немесе термотөзімді қолғапты пайдаланыңыз.
- Аспапты пайдалану кезінде есікті қатты жаппаңыз, қаңылтыр банаы мен басқа заттарды ашық есікке қоймаңыз, аспаптың қызып тұрған есігіне салқын сұйықтықтың түсуіне жол бермеңіз, А-1- сурет.
- Егер тамақ дайындау кезінде, тамақ жанатын болса немесе түтін шықса, аспапты өшіріп, штепсельді розеткадан суырыңыз. Жалын тоқтағанша есікті ашпаңыз, өйткені оттегінің берілуі жалынды күшейте түседі. Аспапқа су құймаңыз, өйткені өйнек сынып кетуі мүмкін



Осы аспапты пайдалану ешқандай жағдайда оған дене күшін қолдануды қарастырмайды, өйткені бұл пайдаланушының кінәсінен бұйымның бұзылуына әкелуі мүмкін.

## ОРНАТУ, А-2- сурет

- Аспапты қабырғалардан / жиһаздардан қашықтықты сақтай отырып, балалардың қолы жетпейтін биіктікте көлденең, ыстыққа төзімді тегіс бетке орнатыңыз. Бір жағы толық бос болуы тиіс. **Осы аспапты кіркіруге тыйым салынады.**
- Жұмыс істемейтін аспапты перденің немесе оңай тұтанатын материалдардың астына/жанына қоймаңыз, өйткені бұл өртке әкелуі мүмкін.

## ЖИНАҚТАЛЫМ, В- сурет

Корпус .....	1 дана.
1 Қаңылтыр таба .....	1 дана.
2 Решетка .....	1 дана.
Пайдалану жөніндегі нұсқаулық .....	1 дана.

## КОНСТРУКЦИЯ ЭЛЕМЕНТТЕРІ, С- сурет

- 1 Есіктің тұтқасы
  - 2 Тор мен қаңылтыр табаға арналған қуыстар
  - 3 Есіктер
  - 4 Басқару панелі
  - 5 Желдетуге арналған саңылаулар
  - 6 Жұмыс индикаторы
- Үстіңгі және астыңғы қыздыру элементтері,  
С-1-1-сурет

## ПАЙДАЛАНУ

### Басқару панелі, С-2-сурет

#### Температураны реттеу



- Температураны 100°C-ден 250°C-ге дейін реттеу

#### Таймер



- Таймер, 0-ден 60 минутқа дейін уақытты таңдау




- СТОП орналасымы, дайындау процесін тоқтату үшін пайдаланыңыз


## Жұмысқа дайындық


**Алғашқы пайдаланар алдында**, құрылғының корпусын құрғақ және жұмсақ шүберекпен сүртіңіз. Қалған бөліктерін ыдыс жуатын сұйықтық қосылған жылы сумен жуыңыз. Аспапты құрастырудан немесе бөлшектеуден бұрын аспаптың розеткадан ажыратылғанына көз жеткізіңіз. Барлық бөлшектерді мұқият сүртіңіз.

Жаңа аспаптың иісін кетіру үшін, бос ыдысты 10-15 минутқа қосыңыз, 250°C максималды температура-ны орнатыңыз. Бөлмені желдетіңіз. Аспапты суытып алыңыз.

## Жұмыс тәртібі, С-2-сурет.

1. Таймердің тұтқасы  орналасымда тұрғанына  көз жеткізіңіз. Аспаптың айырын розеткаға қосыңыз.
2. Реттеуіштің көмегімен қажетті температураны орнатыңыз .
3. Аспап қызуы үшін, таймерді  5 минутқа қосыңыз. Дайындау барысында таймердің тұтқасы автоматты түрде бұрылады.
4. Алдын ала дайындалған өнімдерді қаңылтыр табаға/торға салыңыз. Өнімдерді қыздыру элементтерінен 2 см жақын орналастырмаңыз.
5. Аспапқа торды/қаңылтыр табаны ұқыптап орнатыңыз. С-3-сурет. Есікті жабыңыз.
6. Қажетті уақытты қойып , таймерді қосыңыз. Дайындау барысында есікті ашуға болмайды

**ЕСКЕРТПЕ:** Аспап жұмыс істеп тұрғанда, жұмыс индикаторы  қосулы болады, С-1-сурет.

7. Дайындау аяқталған соң, таймер (аспап) автоматты түрде өшеді. Барлық реттеуіштерді  орналасымына орнатыңыз.
8. Есікті ақырын ашып, қармағыштың көмегімен дайындалған өнімді алыңыз.

## ДАЙЫНДАУ ЖӨНІНДЕГІ ҰСЫНЫМДАР:

Өнім атауы		Температура	Дайындау уақыты	Ескертпе
Ет	Шошқа еті	200°C	35-40 мин.	Дайындау алдында маринадтаңыз, кішігірім тіліктерге кесіңіз (3x3x3см).
	Сыыр еті/қой еті	200°C	40-45 мин.	Дайындау алдында маринадтаңыз, кішігірім тіліктерге кесіңіз (3x3x3см).
Етті жатылай фабрикалар	Шұжықтар	160°C	15-20 мин.	Кішігірім бойлық тілік жасаңыз.
	Сосискалар	160°C	15-20 мин.	Алдын ала сосисканың үлдірін алып тастаңыз.
	Бифштекс	160°C	15- 20 мин.	Бойлық тіліктер (тормен) жасаңыз, тұз, дәмдеуіштер мен таттымлы шөптер себіңіз.
Құс еті	Жон ет	160°C	25-30 мин.	Шырындылығын сақтау үшін, пісіруге арналған жеңді пайдаланыңыз. Тұз, дәмдеуіштер, татымды шөптер себіңіз.
	Аяқтар	160°C	25-30 мин.	Шырындылығын сақтау үшін, пісіруге арналған жеңді пайдаланыңыз. Тұз, дәмдеуіштер, татымды шөптер себіңіз.
	Қанатшалар	180°C	15-20 мин.	Тұз, дәмдеуіштер, татымды шөптер себіңіз.
	Сан ет	160°C	25-30 мин.	Тұз, дәмдеуіштер, татымды шөптер себіңіз.
Балық		130°C	15-20 мин.	Өнімді фольгаға ораңыз. Ұсақ сүйектерді жұмсарту үшін, балыққа лимон тіліктерін салыңыз.
Тосттар		180°C	7-10 мин.	Нанды тостпен кесіңіз. Дайындар алдында тостқа сары май жағыңыз.
Гренки		120°C	15-20 мин.	Нанды текше етіп кесіңіз (1x1x1см). Пісірер алдында қытырлақ өсімдік майын шашыратыңыз, тұз, бұрыш, ащы шөптерге себіңіз.
Қуырылған картоп		150°C	25-30 мин.	Картопты жолақ етіп тураңыз (0.5x0.5x4см). Тұздаңыз, қуырып болған соң пияз қосыңыз.
Көкөністер		100°C	30-35 мин.	Көкөністерді тураңыз. Ыстыққа төзімді материалдан дайындалған сыйымдылықты пайдаланыңыз.

Өнім атауы		Температура	Дайындау уақыты	Ескертпе
Пісірме	Пирог	120°C	30-35 мин.	Жиегі биік пісіруге арналған қалыпты пайдаланыңыз.
	Піспенан	160°C	15-20 мин.	Қаңылтыр таба астына пергамент табағын қойыңыз
	Кекс	100°C	30-35 мин.	Кекс дайындауға арналған қалыпты пайдаланыңыз.
Лазанья		100°C	25-30 мин.	Жиегі биік қалыпты пайдаланыңыз.
Көмбеш – Көкөніс, сүзбе, ет, картоп		100°C	30-35 мин.	Ыстыққа төзімді материалдан дайындалған сыйымдылықты пайдаланыңыз. Үстіне алдын ала қаймақ және жұмыртқа жағыңыз

**ЕСКЕРТПЕЛЕР.** Кестеде пісіру уақыты мен температурасы ұсынымдық сипатта болады және рецептке байланысты ерекшеленуі мүмкін.

## КӨДЕГЕ ЖАРАТУ

- Қауіпсіздік мақсатында ескі құрылғыны тастаудан бұрын, одан әрі пайдаланудың алдын алу үшін, электр сымын кесіп тастаңыз.

## ТАЗАЛАУ ЖӘНЕ КҮТІМ ЖАСАУ, D- сурет

- Аспапты желіден ажыратыңыз.
- Аспапты тазалауға кірісуден бұрын, оны суытып алыңыз.



- Торды, қаңылтыр табаны жылы сумен сабындап

жуыңыз. Оларды ыдыс жуатын машинада да жууға болады. **Ыдыс жуатын машинадағы температура 60°C-ден аспауы тиіс.**

- Аспаптың корпусын, сондай-ақ ішін (қыздыру элементтерінен басқа) дымқыл және жұмсақ шүберекпен сүртіңіз.
- Токтан зақымдану қаупіне орай, ешқашан аспапты суға батырмаңыз.
- Барлық бөлшектерді мұқият сүртіңіз.



## ЫҚТИМАЛ АҚАУЛАР ЖӘНЕ ОЛАРДЫ ЖОЮ ТӘСІЛДЕРІ

Ықтимал мәселе	Ықтимал себеп	Шешу тәсілдері
Аспап қосылмайды	Электрқорек желісінде кернеу жоқ.	Құрылғыны электрқорек желісінен ажыратып, кернеудің қалыпқа келуін күтіңіз.
Бу келеді	Майлы тамақ дайындау кезінде біршама мөлшерде сұйықтық бөлінуі мүмкін.	Бұға күйіп қалмау үшін, есікті ашқанда, сақ болыңыз.
Күйік иісі	Торға, қаңылтыр табаға немесе аспаптың ішкі бетіне май жиналып қалды.	Аспаптың ішін (суыған) сүртіңіз, пайдаланып болған соң, бірден тор мен қаңылтыр табаны жуыңыз.

## ӨНІМДІ СЕРТИКАТТАУ

Сәйкестік сертификаты туралы ақпаратты <http://www.oursson.com/rus/ru/about/partners/certificates/#tab0> сайтынан қараңыз немесе сатушыдан көшірмесін сұраңыз.

Техникалық сипаттама		
Үлгі	MO0703	MO0907
Көлемі, л	7	9
Пісіру парағының өлшемі, мм (LxW)	230x143	250x175
Тұтынылатын қуат, Вт	Max 600	Max 800
Электрмен жабдықтау параметрлері	220-240 В~ ; 50/60Гц	
Сақтау және тасымалдау температурасы	-25 ° С-тан + 35 ° С-қа дейін	
Жұмыс температурасы	+ 5 ° С-тан + 35 ° С-қа дейін	
Сақтау, тасымалдау және пайдалану кезіндегі ауа ылғалдылығына қойылатын талаптар	15-75% конденсацияланбайды	
Қорғаныс класы	I	
Құрылғының өлшемдері, мм (HxWxD)	324x198x244	371x205x275
Құрылғының салмағы, кг	2,0	2,6

\*Өнім құрғақ, желдетілетін үй-жайларда - 25°C температурада сақтау керек.



Жөндеуді тек OURSSON AG уәкілетті қызмет көрсету орталығының білікті маманы жүргізуі керек.

## СЕРВИСТІК ҚЫЗМЕТ КӨРСЕТУ

OURSSON AG компаниясы біздің өнімімізді таңдағаныңыз үшін алғысын білдіреді. Бұл бұйым сіздің қажеттіліктеріңізді қанағаттандыруы үшін, ал сапасы үздік әлемдік үлгілерге сәйкес болуы үшін қолдан келгеннің бәрін жасадық. Егер OURSSON маркалы бұйымыңыз техникалық қызмет көрсетуді қажет ететін болса, уәкілетті сервистік орталықтардың (бұдан әрі – УСО) біріне хабарласуыңызды сұраймыз. УСО толық тізімімен және олардың нақты мекенжайларымен [www.oursson.ru](http://www.oursson.ru) сайтында, сондай-ақ OURSSON AG тегін сенім телефонына қоңырау шалу арқылы таныса аласыз. OURSSON AG өніміне байланысты сұрақтар немесе проблемалар туындаған жағдайда, тұтынушылардың тиісті емес сапалы тауарға қатысты талаптарын қабылдауға және қанағаттандыруға уәкілетті ұйымға жазбаша түрде немесе [info@oursson.ru](mailto:info@oursson.ru) электрондық пошта арқылы хабарласуыңызды сұраймыз.

### OURSSON Ag кепілдік міндеттемелерінің шарттары:

- OURSSON AG УСО ұсынатын OURSSON AG кепілдік міндеттемелері тек осы елде сатып алынған, осы елдің стандарттарына сәйкестікке сертификаттаудан өткен, сондай-ақ ресми сәйкестік белгілерімен таңбаланған кепілдік қызмет көрсетілетін елдің аумағында өндіруге немесе жеткізуге және сатуға арналған OURSSON AG модельдеріне ғана қолданылады.
- OURSSON AG кепілдік міндеттемелері тұтынушылардың құқықтарын қорғау туралы заңнама шеңберінде әрекет етеді және аумағында ұсынылған елдің заңнамасымен реттеледі және бұйымды тек жеке, отбасылық немесе үй қажеттіліктері үшін пайдаланған жағдайда ғана реттеледі. OURSSON AG кепілдік міндеттемелері тауарларды кәсіпкерлік

қызметті жүзеге асыру мақсатында немесе кәсіпорындардың, мекемелердің, ұйымдардың қажеттіліктерін қанағаттандыру мақсатында тауарларды сатып алуға байланысты пайдалану жағдайларына қолданылмайды.

- OURSSON AG өз бұйымдарына келесі қызмет ету мерзімін және кепілдік мерзімін белгілейді:

Өнімнің атауы	Қызмет ету мерзімі, сатып алған күннен бастап ай	Кепілдік мерзімі, сатып алған күннен бастап ай
Қысқа толқынды пештер, нан пісіретін пештер, индукциялық плиталар	60	12
Мульти пісіргіштер, ас үй процессорлары, ас үй машиналары, электрлі шөйнектер, электрлі грильдер, блендерлер, араластырғыштар, ет тарқыштар, тостерлер, термомоттар, ростерлер, кофеайнатықштар, бүмен пісіргіштер, шырын сыққыштар, ұсақтағыштар, дегидраторлар, йогурт жасағыштар, ферментаторлар, шағын духовкалар, мұздатықштар, тоназытқыштар, автоматты кофеайнатықштар, стерилизатор, жылытқыш	36	12
Ай үс таразысы, сифондар	24	12

- OURSSON AG кепілдік міндеттемелері ауыстыру конструкциясында көзделген болса және бұйымды бөлшектеуге байланысты болмаса, төменде көрсетілген бұйымның керек-жарақтарына қолданылмайды:
  - Қуат элементтері.
  - Қаптар, белдіктер, тасымалдауға арналған баулар, монтаждық құрылғылар, құрал-сайман, бұйымға қоса берілетін құжаттама.
- Кепілдік тұтынушының тауарды пайдалану, сақтау

немесе тасымалдау қағидаларын бұзуы, үшінші тұлғалардың іс-әрекеті немесе еңсерілмейтін күш салдарынан бұйымда туындаған кемшіліктерге қолданылмайды, келесі жағдайлар қоса алынады, бірақ олармен шектелмейді:

- Егер тауардың кемшілігі ұқыпсыз пайдалану, тауарды мақсатсыз пайдалану, пайдалану жөніндегі нұсқаулықта баяндалған пайдалану шарттары мен қағидаларын бұзу, оның ішінде жоғары немесе төмен температуралардың, жоғары ылғалдылықтың немесе шаңның әсерінің, аспап корпусын ашу және/немесе өз бетімен жөндеу іздерінің, қуат желілері параметрлерінің мемлекеттік стандарттарына сәйкес келмеуінің, корпус ішіне сұйықтықтың, зәттер және өзге бөгде заттардың, заттектердің түсуі, сондай-ақ бұйымның оның жұмысының шекті режимдерінде ұзақ пайдаланылуының салдарынан болса.
  - Судың сапасы мен қақ шөгіндісінен болатын зақымданулар мен ақаулар (қақтан тазарту және тазарту кепілдік қызмет көрсетуге кірмейді және оны өзіңіз YHEMI жасап отыруыңыз керек).
  - Егер тауардың кемшілігі тауарды рұқсатсыз тестілеу немесе оның конструкциясына немесе оның бағдарламалық жасақтамасына кез келген өзгерістер енгізу, соның ішінде OURSSON AG уәкілеттік бермеген жөндеу ұйымында жөндеу немесе техникалық қызмет көрсету әрекеттерінің салдары болып табылса.
  - Егер тауардың кемшілігі стандартты емес (типтік емес) және (немесе) сапасыз керек-жарақтарды, аксессуарларды, қосалқы бөлшектерді, қуат элементтерін пайдаланудың салдары болып табылса.
  - Егер тауардың кемшілігі OURSSON AG осы тауармен қолдануға ұсынғаннан қосымша жабдықтан басқа қосымша жабдықпен (аксессуарлармен) қолдануға байланысты болса. OURSSON AG үшінші тұлғалар өндірген қосымша жабдықтың (аксессуарлардың) сапасы үшін, осындай жабдықпен бірге өз өнімдерінің жұмыс сапасы үшін, сондай-ақ басқа өндірушілердің бұйымдарымен бірге OURSSON AG компаниясы шығарған қосымша жабдықтың жұмыс сапасы үшін жауапкершілік көтермейді.
6. Қызмет ету мерзімі кезеңінде анықталған тауардың кемшіліктерін осыған уәкілеттік берілген жөндеу ұйымдары (УСО) жояды. Кепілдік мерзімі ішінде кемшіліктерді жою толтырылған кепілдік талонының және бөлшек сатып алу-сату шартын жасау фактісі мен күнін растайтын құжаттардың (тауарлық, кассалық чек және т.б.) түпнұсқасын ұсынған кезде тегін жүргізіледі. Көрсетілген құжаттар болмаған жағдайда кепілдік мерзімі тауар дайындалған күннен бастап есептеледі. Бұл ретте мынаны ескеру керек:
- Оған қоса берілген құжаттамада сипатталған бұйымды баптау және орнату (құрастыру, қосу және т.б.) OURSSON AG кепілдік міндеттемелерінің көлеміне кірмейді және оны пайдаланушының өзі және тиісті бейіндегі уәкілетті қызмет көрсету орталықтарының мамандары да ақылы негізде орындай алады.

- Бұйымдарға техникалық қызмет көрсету бойынша жұмыстар (қозғалатын бөлшектерді тазалау және майлау, шығыс материалдары мен керек-жарақтарды ауыстыру және т.б.) ақылы негізде жүргізіледі.

7. OURSSON AG өз өнімінен адамдарға, үй жануарларына, мүлікке тікелей немесе жанана түрде келтірілген зиян үшін, егер бұл бұйымды пайдалану, сақтау, тасымалдау немесе орнату қағидалары мен шарттарын қадағаламау нәтижесінде болған жағдайда; тұтынушының немесе үшінші тұлғалардың қасақана немесе ұқыпсыз әрекеттерінен болған жағдайда жауапкершілік көтермейді.
8. OURSSON AG еш жағдайда қандай да бір ерекше, кездейсоқ, тікелей немесе жанана залал немесе зиян, соның ішінде, бірақ онымен шектелмей, коммерциялық, өндірістік немесе басқа қызметтегі үзілістерден туындаған, бұйымды пайдалану немесе пайдалану мүмкін еместігінен туындаған шығындар үшін жауапкершілік көтермейді.
9. Өнімді тұрақты жетілдіру салдарынан дизайн элементтері мен өнімнің кейбір техникалық сипаттамалары өндіруші тарапынан алдын ала хабарландырусыз өзгертілуі мүмкін.

#### **Бұйымды қызмет ету мерзімі өткеннен кейін пайдалану:**

1. OURSSON AG осы бұйым үшін белгілеген қызмет ету мерзімі бұйымды тек жеке, отбасылық немесе үй қажеттіліктері үшін пайдаланған жағдайда, сондай-ақ тұтынушы бұйымды пайдалану, сақтау және тасымалдау қағидаларын сақтаған жағдайда ғана жарамды. Бұйымды ұқыпты пайдалану және пайдалану қағидаларын қадағалаған жағдайда нақты қызмет ету мерзімі OURSSON AG белгілеген қызмет ету мерзімінен асып кетуі мүмкін.
2. Бұйымның қызмет ету мерзімі аяқталғаннан кейін бұйымға профилактикалық қызмет көрсетуді жүргізу және оның одан әрі пайдалануға жарамдылығын анықтау үшін уәкілетті сервистік орталыққа жүгіну қажет. Бұйымға профилактикалық қызмет көрсету және оның диагностикасы жөніндегі жұмыстарды сервистік орталықтар ақылы негізде орындайды.
3. OURSSON AG қызмет ету мерзімі аяқталғаннан бұйымды Уәкілетті қызмет көрсету орталығында профилактикалық қызмет көрсетусіз пайдалануды жалғастыруды ұсынбайды, себебі бұл жағдайда бұйым тұтынушының өміріне, денсаулығына немесе мүлкіне қауіп төндіруі мүмкін.

#### **Бұйымды кәдеге жарату**

Осы тұрмыстық электр құрылғысының ЕО 2002/96/EG директивасының талаптарына сәйкес қызмет ету мерзімі өткен электрлік және электронды құрылғылар туралы (waste electrical and electronic equipment – WEEE) белгілі бар. Бұйымның қызмет ету мерзімі аяқталғаннан кейін оны кәдімгі тұрмыстық қоқыспен бірге тастауға болмайды. Оның орнына федералды немесе жергілікті заңнамаға сәйкес одан әрі қайта өңдеу және кәдеге жарату үшін электрлік және электронды жабдықты тиісті қабылдау пунктіне кәдеге жаратуға тапсырылады. Осы өнімнің дұрыс кәдеге жаратылуын қамтамасыз ете отырып, сіз табиғи ресурстарды сақтауға және қоршаған орта

мен адамдардың денсаулығына зиян келтірмеуге көмектесесіз. Осы өнімді қабылдау және кәдеге жарату пункттері туралы аса толық ақпаратты жергілікті муниципалды органдардан немесе тұрмыстық қоқыстарды шығаратын кәсіпорыннан алуға болады.



### Өндірілген күні

Әр бұйымға әріптік-цифрлық қатар түріндегі бірегей сериялық нөмір тағайындалады және келесі ақпаратты: тауар тобының атауын, өндірілген күнін, бұйымның реттік нөмірін қамтитын штрих-кодпен қайталанады. Сериялық нөмір өнімнің артық панелінде, қаптамада және кепілдік талонында орналасады.



Сериялық нөмір өнімнің артық панелінде, қаптамада және кепілдік талонында орналасады.

- 1 Алғашқы екі әріп – тауар тобына сәйкестік (мини пеш - MO).
- 2 Алғашқы екі сан – өндірілген жылы.
- 3 Екінші екі сан – өндірілген айы.
- 4 Соңғы сандар – бұйымның сериялық нөмірі.

Түсінбеушілікке жол бермеу үшін сізден бұйымды пайдалану жөніндегі нұсқаулықты және кепілдік міндеттемелердің шарттарын мұқият оқуыңызды, кепілдік талонның дұрыс толтырылғанын тексеруіңізді сұраймыз. Бұйымның моделі, сериялық нөмірі, сатып алу күні дұрыс және айқын көрсетілген, сатушы-фирманың айқын мөрі, сатып алушының қолы болған жағдайда кепілдік талоны жарамды болады. Бұйымның сериялық нөмірі мен моделі кепілдік талонында көрсетілгендерге сәйкес келуі керек. Бұл шарттар бұзылған кезде, сондай-ақ кепілдік талонда көрсетілген деректер өзгертілген немесе өшірілген жағдайда талон жарамсыз деп танылады.



# OURSSON®

Егер OURSSON AG өнімдеріне қатысты сұрақтарыңыз болса немесе проблемалар туындаса - бізге [support@oursson.com](mailto:support@oursson.com) электрондық поштасы арқылы хабарласыңыз.

Бұл нұсқаулық халықаралық авторлық құқық туралы заңнамамен және ЕО заңнамасымен қорғалған.

Нұсқаулықтарды кез-келген түрде рұқсатсыз пайдалану, оның ішінде көшірме жасау, басып шығару және тарату, бірақ онымен шектелмей, пайдалану кінәлінің азаматтық жауапкершілікке тартылуын болжайды және қылмыстық жауапкершілікті қамтиды.

Байланыс ақпараты:

1. Тауар өндірушісі - OURSSON AG (Orson AG), Rue du Grand-Chêne 5, 1003 Лозанна, Швейцария.
2. Өнім сертификациясы туралы ақпарат [www.oursson.com](http://www.oursson.com) сайтында қолжетімді.

OURSSON AG  
Қытайда жасалған



## ИНСТРУКЦИЯ ПО БЕЗОПАСНОСТИ, Рис. А

RU



### Символ опасности

Напоминание пользователю о высоком напряжении.



### Символ предупреждения

Напоминание пользователю о необходимости проведения всех действий в соответствии с инструкцией.



### Символ опасности ожога

Напоминание пользователю о высокой температуре.

При использовании электрических приборов следует соблюдать следующие меры предосторожности:

- Используйте прибор согласно данному руководству по эксплуатации.
- Устанавливайте прибор на устойчивую поверхность.
- Используйте только приспособления, входящие в комплект устройства.



- Чтобы предотвратить риск пожара или удара током, избегайте попадания в устройство воды и эксплуатации устройства в условиях высокой влажности. Если по каким-то причинам вода попала внутрь устройства, обратитесь в уполномоченный сервисный центр (УСЦ) OURSSON AG.

- Для электропитания прибора используйте электросеть с надлежащими характеристиками.
- Не используйте прибор в помещениях, где в воздухе могут содержаться пары легковоспламеняющихся веществ.



- Никогда самостоятельно не вскрывайте устройство – это может стать причиной поражения электрическим током, привести к выходу прибора из строя и аннулирует гарантийные обязательства производителя. Для ремонта и технического обслуживания обращайтесь только в сервисные центры, уполномоченные для ремонта изделий торговой марки OURSSON.

- При перемещении устройства из прохладного помещения в теплое и наоборот распакуйте его перед началом эксплуатации и подождите 1-2 часа, не включая.



- В целях предотвращения поражения электрическим током не допускайте погружения проводов или всего изделия в воду.

- Будьте особенно осторожны и внимательны, если рядом с работающим прибором находятся дети.



- Не дотрагивайтесь до горячих поверхностей прибора, это может привести к травме.

- Шнур питания специально сделан относительно коротким во избежание риска получения травмы.
- Не допускайте свисания шнура через острый край стола или его касания нагретых поверхностей.
- Не подключайте данный прибор к сети, перегруженной другими электроприборами: это может

привести к тому, что прибор не будет функционировать должным образом.

- Не устанавливайте изделие вблизи газовых и электрических плит, а также духовок.
- Не используйте прибор при поврежденном шнуре питания, а также в случаях, если нарушена нормальная работа изделия, если оно падало или было повреждено каким-либо другим образом.
- При отключении изделия от сети держитесь только за вилку, не тяните за провод – это может привести к повреждению провода или розетки и вызвать короткое замыкание.
- По окончании использования отключите изделие от сети.
- Оберегайте устройство от ударов, падений, вибраций и иных механических воздействий.
- Обязательно отключайте устройство от сети перед началом мойки.
- Не используйте изделие вне помещений.
- Этот прибор не предназначен для использования людьми (включая детей) с ограниченными физическими, сенсорными или умственными способностями, или нехваткой опыта и знаний. Они могут пользоваться прибором только под наблюдением человека, ответственного за их безопасность, или после инструктажа по безопасному использованию прибора. Не позволяйте детям играть с изделием.
- Настоящее изделие предназначено только для использования в быту.
- Не используйте при чистке прибора абразивные материалы и органические чистящие средства (спирт, бензин и т.д.). Для чистки корпуса прибора допускается использование небольшого количества нейтрального моющего средства.

## РЕКОМЕНДАЦИИ

- Перед использованием устройства внимательно ознакомьтесь с руководством пользователя. После чтения, пожалуйста, сохраните его для использования в будущем.
- Все иллюстрации, приведенные в данной инструкции, являются схематичными изображениями реальных объектов, которые могут отличаться от их реальных изображений.

- Не перемещайте прибор во время использования.
- Используйте прибор только для приготовления и разогрева пищи.
- Не используйте прибор, как источник тепла.
- Не оставляйте дверцу открытой во время работы прибора.
- Используйте только термостойкую посуду, подходящую для мини-духовок.
- Не помещайте в прибор консервные банки, бутылки, а также плотно закрытые емкости и слишком крупные продукты. Это может привести к травме или поломке прибора.
- Не помещайте сырое мясо/рыбу непосредственно на решетку, т.к. жир и масло могут воспламениться. Используйте форму для выпекания, завернув предварительно продукт в фольгу. Убедитесь, что фольга не соприкасается с нагревательными элементами.
- При использовании фольги помещайте противень на средний уровень.
- Не оставляйте работающий прибор без присмотра.
- Не помещайте в/на прибор бумагу, картон, пластик, полотенца и т.д., т.к. это может вызвать пожар.
- Используйте прихватки или термостойкие перчатки, чтобы достать продукт из духовки.
- Во время использования прибора не хлопайте дверцей, не ставьте на открытую дверцу противни и другие предметы, избегайте попадания холодной жидкости на нагретую дверцу прибора, Рис. А-1.
- Если во время приготовления пища загорелась или задымилась, выключите прибор и вытащите штепсель из розетки. Не открывайте дверцу, пока пламя не прекратится, т.к. подача кислорода усилит пламя. Не лейте воду на прибор, т.к. стекло может лопнуть.



Эксплуатация данного прибора ни в коем случае не подразумевает применение к нему физической силы, так как это может привести к поломке изделия по вине пользователя.

## УСТАНОВКА, Рис. А-2

- Установите прибор на горизонтальной ровной термоустойчивой поверхности на высоте, не достигаемой детьми, соблюдая расстояние от стен/мебели. Одна сторона должна быть полностью свободной. **Данный прибор запрещается встраивать.**
- Не размещайте работающий прибор под/рядом с занавесками или иными легковоспламеняющимися материалами, поскольку это может привести к пожару.

## КОМПЛЕКТАЦИЯ, Рис. В

Корпус ..... 1 шт.  
 1 Противень ..... 1 шт.

2 Решетка ..... 1 шт.  
 Инструкция по эксплуатации ..... 1 шт.  
 Гарантийный талон ..... 1 шт.


## ЭЛЕМЕНТЫ КОНСТРУКЦИИ, Рис. С

- 1 Ручка дверцы
  - 2 Пазы для решетки и противня
  - 3 Дверца
  - 4 Панель управления
  - 5 Отверстия для вентиляции
  - 6 Индикатор работы
- Верхний и нижний нагревательные элементы, Рис.С-1-1



## ИСПОЛЬЗОВАНИЕ

### Панель управления, Рис.С-2

#### Регулятор температуры

-  • Регулировка температуры от 100°C до 250°C

#### Таймер



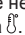


-  • Таймер, выбор времени от 0 до 60 минут
-  • Положение **СТОП**, используйте для остановки процесса приготовления

## Подготовка к работе


**Перед первым использованием** протрите корпус прибора сухой и мягкой тканью. Остальные части вымойте теплой водой с добавлением жидкости для мытья посуды. Перед сборкой или разборкой прибора убедитесь, что прибор выключен из розетки. Тщательно высушите все детали.

Включите пустой прибор на 10-15 минут, установив максимальную температуру 250°C, чтобы удалить запаха нового прибора. Проветрите помещение. Дайте прибору остыть.

## Порядок работы, Рис.С-2

1. Удостоверьтесь, что ручка таймера  находится в положении . Включите вилку прибора в розетку.
2. Установите необходимую температуру с помощью регулятора .
3. Включите таймер  на 5 минут, чтобы прибор нагрелся. Ручка таймера будет автоматически поворачиваться в течение приготовления.
4. Поместите заранее подготовленные продукты на противень/решетку. Не размещайте продукты ближе чем 2 см. от нагревательных элементов.
5. Аккуратно установите решетку, противень в прибор Рис.С-3. Закройте дверцу.
6. Включите таймер , установив необходимое время. Не рекомендуется открывать дверцу в процессе приготовления.

**ПРИМЕЧАНИЕ:** Когда прибор работает, включен индикатор работы 6, Рис.С-1.

7. По окончании приготовления таймер (прибор) отключится автоматически. Установите все регуляторы в положение .

8. Аккуратно откройте дверцу и достаньте приготовленный продукт с помощью прихваток.

### РЕКОМЕНДАЦИИ ПО ПРИГОТОВЛЕНИЮ:

Наименование продукта		Температура	Время приготовления	Примечание
Мясо	Свинина	200°C	35-40 мин.	Перед приготовлением замаринуйте, нарежьте небольшими кусочками (3x3x3см).
	Говядина/баранина	200°C	40-45 мин.	Перед приготовлением замаринуйте, нарежьте небольшими кусочками (3x3x3см).
Мясные полуфабрикаты	Колбаски	160°C	15-20 мин.	Сделайте небольшой продольный надрез.
	Сосиски	160°C	15-20 мин.	Предварительно очистите сосиски от пленки.
	Бифштекс	160°C	15-20 мин.	Сделайте продольные надрезы (сеткой), натрите солью, специями и пряными травами.
Мясо птицы	Филе	160°C	25-30 мин.	Для сохранения сочности, используйте рукав для запекания. Натрите солью, специями, пряными травами.
	Ножки	160°C	25-30 мин.	Для сохранения сочности, используйте рукав для запекания. Натрите солью, специями, пряными травами.
	Крылышки	180°C	15-20 мин.	Натрите солью, специями, пряными травами.
	Окорочка	160°C	25-30 мин.	Натрите солью, специями, пряными травами.
Рыба	130°C	15-20 мин.	Заверните продукт в фольгу. Для размягчения мелких косточек рыбу проложите дольками лимона.	
Тосты	180°C	7-10 мин.	Нарежьте хлеб тостами. Перед приготовлением смажьте тосты сливочным маслом.	
Гренки	120°C	15-20 мин.	Нарежьте хлеб кубиками (1x1x1см) Перед приготовлением сбрызните гренки растительным маслом, посыпьте солью, перцем, пряными травами.	

Наименование продукта		Температура	Время приготовления	Примечание
Картофель жареный		150°C	25-30 мин.	Нарежьте картофель соломкой (0.5x0.5x4см) Посолите и добавьте лук в конце жарки.
Овощи		100°C	30-35 мин.	Порежьте овощи. Используйте емкость из жаропрочного материала.
Выпечка	Пирог	120°C	30-35 мин.	Используйте форму для выпечки с высокими бортами.
	Печенье	160°C	15-20 мин.	Подложите лист пергамента на противень.
	Кекс	100°C	30-35 мин.	Используйте форму для приготовления кексов.
Лазанья		100°C	25-30 мин.	Используйте форму с высокими бортами.
Запеканки – Овощные, твороженные, мясные, картофельные.		100°C	30-35 мин.	Используйте емкость из жаропрочного материала. Предварительно смажьте сверху смесь сметаны и яйца.

**ПРИМЕЧАНИЯ.** Время приготовления и температура в таблице носят рекомендательный характер и могут отличаться в зависимости от рецепта.

## УТИЛИЗАЦИЯ

- Перед тем, как выбросить старый прибор в целях безопасности перережьте электрический провод, чтобы предотвратить дальнейшее использование.

- Промойте решетку, противень в теплой мыльной воде. Их можно мыть в посудомоечной машине. **Температура в посудомоечной машине не должна превышать 60°C.**
- Корпус прибора, а также внутреннюю часть (кроме нагревательных элементов), протрите влажной и мягкой тканью.

## ЧИСТКА И УХОД, Рис. D



- Отключите прибор от сети.
- Дайте прибору остыть, прежде чем приступите к его очистке.



- Никогда не погружайте прибор в воду из-за опасности поражения током.
- Тщательно высушите все детали.

## ВОЗМОЖНЫЕ НЕПОЛАДКИ И СПОСОБЫ ИХ УСТРАНЕНИЯ

Возможная проблема	Возможная причина	Способы решения
Прибор не включается	Отсутствует напряжение в сети электропитания.	Отключите прибор от сети электропитания и дождитесь нормализации напряжения.
Идет пар	При приготовлении пищи с большим содержанием жидкости может выделяться некоторое количество пара.	Будьте осторожны, открывая дверцу, чтобы не обжечься паром.
Запах гари	Накопился жир на решетке, противне или на внутренней части прибора.	Протирайте прибор внутри (остывший) и мойте решетку и противень сразу после использования.

## СЕРТИФИКАЦИЯ ПРОДУКЦИИ

Информацию о сертификате соответствия смотрите на сайте <http://www.oursson.com/rus/ru/about/partners/certificates/#tab0> или спрашивайте копию у продавца.

Технические характеристики		
Модель	MO0703	MO0907
Объем, л	7	9
Размер противня, мм (ДхШ)	230x143	250x175
Потребляемая мощность, Вт	Max 600	Max 800
Параметры электропитания	220-240 В~ ; 50/60Гц	
Температура хранения и транспортировки	от -25°C до +35°C	
Температура эксплуатации	от +5°C до +35°C	
Требования к влажности воздуха при хранении, транспортировке и эксплуатации	15-75% без образования конденсата	
Класс защиты	I	
Размеры прибора, мм (ВхШхГ)	324x198x244	371x205x275
Вес прибора, кг	2,0	2,6

\*Продукция должна храниться в сухих, проветриваемых складских помещениях при температуре не ниже -25°C.



Ремонт прибора должен производиться только квалифицированным специалистом уполномоченного сервисного центра OURSSON AG.

## СЕРВИСНОЕ ОБСЛУЖИВАНИЕ

Компания OURSSON AG выражает вам огромную признательность за выбор нашей продукции. Мы сделали все возможное, чтобы данное изделие удовлетворяло вашим запросам, а качество соответствовало лучшим мировым образцам. В случае, если ваше изделие марки OURSSON будет нуждаться в техническом обслуживании, просим вас обращаться в один из Уполномоченных Сервисных Центров (далее – УСЦ). С полным списком УСЦ и их точными адресами вы можете ознакомиться на сайте [www.oursson.ru](http://www.oursson.ru), а также позвонив по номеру телефона бесплатной горячей линии OURSSON AG.

В случае возникновения вопросов или проблем, связанных с продукцией OURSSON AG, просим вас обращаться в письменном виде в организацию, уполномоченную на принятие и удовлетворение требований потребителей в отношении товара ненадлежащего качества, либо по электронной почте [info@oursson.ru](mailto:info@oursson.ru).

### Условия Гарантийных обязательств OURSSON AG:

1. Гарантийные обязательства OURSSON AG, предоставляемые УСЦ OURSSON AG, распространяются только на модели, предназначенные OURSSON AG для производства или поставок и реализации на территории страны, где предоставляется гарантийное обслуживание, приобретенные в этой стране, прошедшие сертификацию на соответствие стандартам этой страны, а также маркиро-

- ванные официальными знаками соответствия.
2. Гарантийные обязательства OURSSON AG действуют в рамках законодательства о защите прав потребителей и регулируются законодательством страны, на территории которой они предоставлены, и только при условии использования изделия исключительно для личных, семейных или домашних нужд. Гарантийные обязательства OURSSON AG не распространяются на случаи использования товаров в целях осуществления предпринимательской деятельности либо в связи с приобретением товаров в целях удовлетворения потребностей предприятий, учреждений, организаций.
3. OURSSON AG устанавливает на свои изделия следующие сроки службы и гарантийные сроки:

Название продукта	Срок службы, месяцев со дня покупки	Гарантийный срок, месяцев со дня покупки
Микроволновые печи, хлебопечи, индукционные плиты	60	12
Мультиварки, кухонные процессоры, кухонные машины, электрические чайники, электрические грили, блендеры, миксеры, мясорубки, тостеры, термомолоты, роостеры, кофеварки, пароварки, соковыжималки, измельчители, дегидраторы, йогуртницы, ферментаторы, минидуховки, морозильники, холодильники, автоматические кофемашины, стерилизатор, подогреватель	36	12
Кухонные весы, сифоны	24	12

4. Гарантийные обязательства OURSSON AG не распространяются на перечисленные ниже принадлежности изделия, если их замена предусмотрена конструкцией и не связана с разборкой изделия:
  - Элементы питания.
  - Чехлы, ремни, шнуры для переноски, монтажные приспособления, инструмент, документацию, прилагаемую к изделию.
5. Гарантия не распространяется на недостатки, возникшие в изделии вследствие нарушения потребителем правил использования, хранения или транспортировки товара, действия третьих лиц или непреодолимой силы, включая, но не ограничиваясь следующими случаями:
  - Если недостаток товара явился следствием небрежного обращения, применения товара не по назначению, нарушения условий и правил эксплуатации, изложенных в инструкции по эксплуатации, в том числе вследствие воздействия высоких или низких температур, высокой влажности или запыленности, следах вскрытия корпуса прибора и/или самостоятельного ремонта, несоответствия Государственным стандартам параметров питающих сетей, попадания внутрь корпуса жидкости, насекомых и других посторонних предметов, веществ, а также длительного использования изделия в предельных режимах его работы.
  - Повреждения и дефекты, вызванные качеством воды и отложением накипи (очистка от накипи и чистка не входит в гарантийное обслуживание и должна РЕГУЛЯРНО производиться Вами самостоятельно).
  - Если недостаток товара явился следствием несанкционированного тестирования товара или попыток внесения любых изменений в его конструкцию или его программное обеспечение, в том числе ремонта или технического обслуживания в неуполномоченной OURSSON AG ремонтной организации.
  - Если недостаток товара явился следствием использования нестандартных (нетиповых) и (или) некачественных принадлежностей, аксессуаров, запасных частей, элементов питания.
  - Если недостаток товара связан с его применением совместно с дополнительным оборудованием (аксессуарами), отличным от дополнительного оборудования, рекомендованного OURSSON AG к применению с данным товаром. OURSSON AG не несет ответственность за качество дополнительного оборудования (аксессуаров), произведенного третьими лицами, за качество работы своих изделий совместно с таким оборудованием, а также за качество работы дополнительного оборудования производства компании OURSSON AG совместно с изделиями других производителей.
6. Недостатки товара, обнаруженные в период срока службы, устраняются уполномоченными на это ремонтными организациями (УЦ). В течение гарантийного срока устранение недостатков производится бесплатно при предъявлении оригинала заполненного гарантийного талона и документов,

подтверждающих факт и дату заключения договора розничной купли-продажи (товарный, кассовый чек и т. п.). В случае отсутствия указанных документов гарантийный срок исчисляется со дня изготовления товара. При этом следует учитывать:

- Настройка и установка (сборка, подключение и т. п.) изделия, описанная в документации, прилагаемой к нему, не входит в объем гарантийных обязательств OURSSON AG и могут быть выполнены как самим пользователем, так и специалистами большинства уполномоченных сервисных центров соответствующего профиля на платной основе.
  - Работы по техническому обслуживанию изделий (чистка и смазка движущихся частей, замена расходных материалов и принадлежностей и т. п.) производятся на платной основе.
7. OURSSON AG не несет ответственности за возможный вред, прямо или косвенно нанесенный своей продукцией людям, домашним животным, имуществу в случае, если это произошло в результате несоблюдения правил и условий эксплуатации, хранения, транспортировки или установки изделия; умысленных или неосторожных действий потребителя или третьих лиц.
  8. Ни при каких обстоятельствах OURSSON AG не несет ответственности за какой-либо особый, случайный, прямой или косвенный ущерб или убытки, включая, но не ограничиваясь перечисленными, упущенную выгоду, убытки, вызванные перерывами в коммерческой, производственной или иной деятельности, возникающие в связи с использованием или невозможностью использования изделия.
  9. Вследствие постоянного совершенствования продукции элементы дизайна и некоторые технические характеристики продукта могут быть изменены без предварительного уведомления со стороны производителя.

#### **Использование изделия по истечении срока службы**

1. Срок службы, установленный OURSSON AG для данного изделия, действует только при условии использования изделия исключительно для личных, семейных или домашних нужд, а также соблюдении потребителем правил эксплуатации, хранения и транспортировки изделия. При условии аккуратного обращения с изделием и соблюдения правил эксплуатации фактический срок службы может превышать срок службы, установленный OURSSON AG.
2. По окончании срока службы изделия вам необходимо обратиться в Уполномоченный сервисный центр для проведения профилактического обслуживания изделия и определения его пригодности к дальнейшей эксплуатации. Работы по профилактическому обслуживанию изделия и его диагностике выполняются сервисными центрами на платной основе.
3. OURSSON AG не рекомендует продолжать эксплуатацию изделия по окончании срока службы без проведения его профилактического обслуживания в Уполномоченном сервисном центре, т. к. в этом случае изделие может представлять опасность для жизни, здоровья или имущества потребителя.

## Утилизация изделия

Этот бытовой электроприбор имеет обозначение согласно требованиям Директивы ЕС 2002/96/EG об отслуживших свой срок электрических и электронных приборах (waste electrical and electronic equipment – WEEE). После окончания срока службы изделия его нельзя выбрасывать вместе с обычным бытовым мусором. Вместо этого оно подлежит сдаче на утилизацию в соответствующий пункт приема электрического и электронного оборудования для последующей переработки и утилизации в соответствии с федеральным или местным законодательством. Обеспечивая правильную утилизацию данного продукта, вы помогаете сберечь природные ресурсы и предотвращаете ущерб для окружающей среды и здоровья людей, который возможен в случае ненадлежащего обращения. Более подробную информацию о пунктах приема и утилизации данного продукта можно получить в местных муниципальных органах или на предприятии по вывозу бытового мусора.



## Дата производства

Каждому изделию присваивается уникальный серийный номер в виде буквенно-цифрового ряда и дублируется штрих-кодом, который содержит следующую информацию: название товарной группы, дату производства, порядковый номер изделия. Серийный номер располагается на задней панели продукта, на упаковке и в гарантийном талоне.



Серийный номер располагается на задней панели продукта, на упаковке и в гарантийном талоне.

- 1 Первые две буквы – соответствие товарной группе (мини-духовка – МО).
- 2 Первые две цифры – год производства.
- 3 Вторые две цифры – месяц производства.
- 4 Последние цифры – порядковый номер изделия.

Во избежание недоразумений убедительно просим вас внимательно изучить Руководство по эксплуатации изделия и условия гарантийных обязательств, проверить правильность заполнения гарантийного талона. Гарантийный талон действителен только при наличии правильно и четко указанных: модели, серийного номера изделия, даты покупки, четких печатей фирмы-продавца, подписи покупателя. Серийный номер и модель изделия должны соответствовать указанным в гарантийном талоне. При нарушении этих условий, а также в случае, когда данные, указанные в гарантийном талоне, изменены или стерты, талон признается недействительным.



# oursson®

Горячая линия OURSSON AG обеспечивает полную информационную поддержку деятельности компании в России, странах СНГ и Балтии. Профессиональные операторы быстро ответят на любой интересующий вас вопрос. Вы можете обращаться в единый центр по вопросам сервисного сопровождения, для рекомендаций специалистов по настройке и подключению, для информирования о местах продаж, с вопросами о рекламных акциях и розыгрышах, проводимых компанией, а также с любыми другими вопросами о деятельности компании на территории России, стран СНГ и Балтии.

Есть вопросы? Звоните, мы поможем!

Телефон горячей линии OURSSON AG (бесплатные звонки со стационарных телефонов):

**8 800 100 8 708**

Время работы горячей линии:

понедельник-пятница с 10:00 до 20:00 (по московскому времени); без выходных, 7 дней в неделю.

Настоящая инструкция является объектом охраны в соответствии с международным и российским законодательством об авторском праве. Любое несанкционированное использование инструкции, включая копирование, тиражирование и распространение, но не ограничиваясь этим, влечет применение к виновному лицу гражданско-правовой ответственности, а также уголовной ответственности в соответствии со статьей 146 УК РФ и административной ответственности в соответствии со статьей 7.12 КоАП РФ (ст.150.4 КоАП в старой редакции).

Контактная информация:

1. Изготовитель товара – OURSSON AG (OPCON AG), Ул. Гран-Шен 5, 1003 Лозанна, Швейцария.
2. Организация, уполномоченная на принятие и удовлетворение требований потребителей в отношении товара ненадлежащего качества (уполномоченное изготовителем лицо), – ООО «OPCON», 125445, Москва, Ленинградское шоссе, д. 65, стр. 3.
3. Информация о сертификации продукта доступна на сайте [www.oursson.com](http://www.oursson.com).
4. Импортёр продукции OURSSON AG: РФ и/или страны ETC: смотрите информацию на упаковке товара.

OURSSON AG  
Сделано в КНР



[www.oursson.com](http://www.oursson.com)

