

oursson 

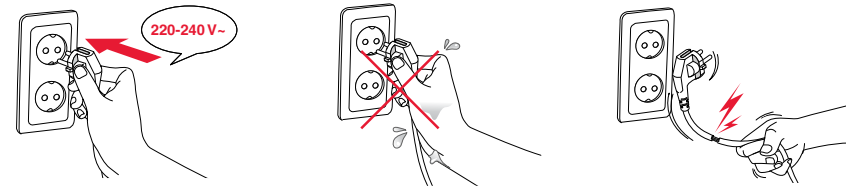
bon appétit



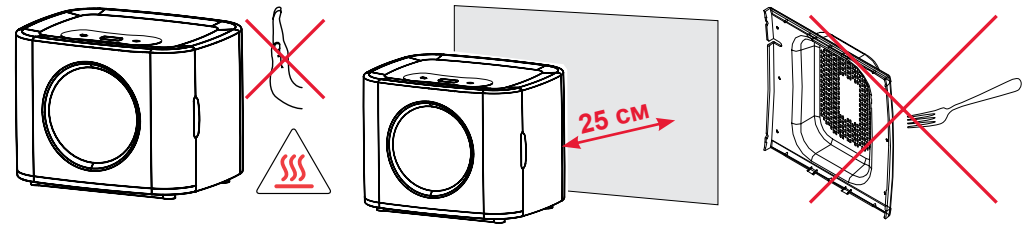
DR5000D

EN Instruction manual

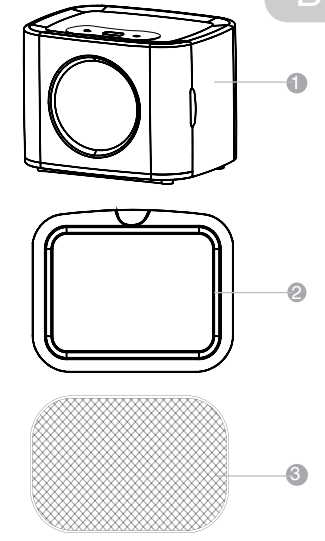
RU Руководство по эксплуатации



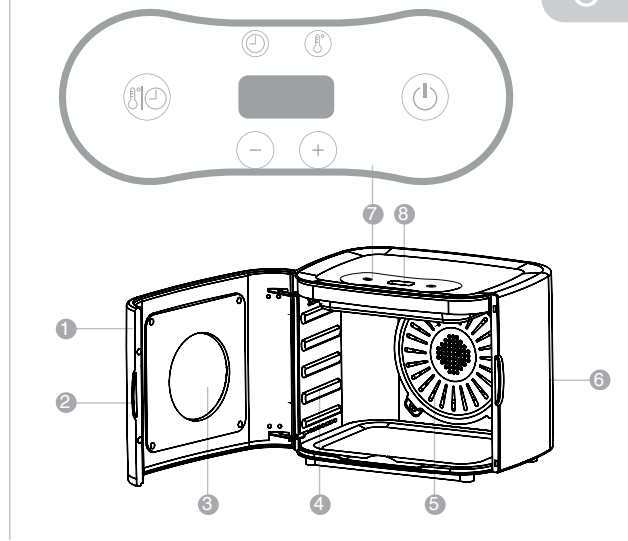
A






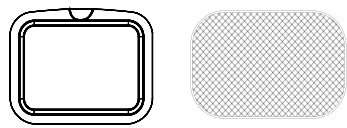
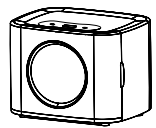
B



C



D

			
	✓	✓	✓
	✗	✗	✓

SAFETY INSTRUCTIONS, Pic. A



Danger symbol

A reminder to user about high voltage.



Warning symbol

A reminder to user about the necessity of operating exactly according to the instructions.

When using electrical appliances should take the following precautions:

- Use the device according to the following instructions manual.
- Install the device on a stable surface.
- Use only the tools, which are included in the product set.

- To protect against risk of electrical shock do not put the cord in water or other liquid. If for some reason the water got into the unit, contact an authorized service center (ASC) OURSSON.

- For power supply, use a power grid with proper characteristics.
- Do not use the device in areas where the air can contain vapors of flammable substances.

- Never attempt to open the device by yourself – it could possibly be the reason of an electrical shock can lead to product malfunction and will invalidate the manufacturer's warranty. For repair and maintenance, contact only authorized service centers meant for repair of products under the trademark OURSSON.

- When moved from a cool to a warm place and vice versa unpack it before use and wait 1-2 hours without turning it on.

- In order to prevent electrical shock do not immerse the entire product or the wires into the water.

- Be particularly careful and cautious when using the device near children.
- Do not touch any hot parts, as this may cause injury.
- The power cord is specially made relatively short in order to avoid the risk of injury.
- Do not allow the cord to hang over the sharp edge of the table or touch hot surfaces.
- Do not connect this device to a grid which is overloaded with other appliances: it can lead to the fact that the device will not function properly.
- Do not install the device near gas and electric stoves and ovens.
- After use, make sure to disconnect the device from the power grid.
- Keep the device from bumps, falls, vibration and other mechanical influences.
- Make sure to disconnect the device from the power grid before cleaning or changing accessories.
- Do not use the device outdoors.

EN



Burn hazard symbol

User reminder about high temperature.

- This appliance is not intended for use by persons (including children) with reduced physical, sensory or mental capabilities, or lack of experience and knowledge. They can only use the device under the supervision of the person responsible for their safety, or after instruction on the safe use of the device. Do not allow children to play with the product.
- This product is intended only for use in the home.
- If the power cord is damaged, it must be replaced by a specialist from the authorized service center (ASC) OURSSON to avoid danger.
- Use only the tools, which are included in the product set.
- When cleaning the appliance do not use abrasives and organic cleaners (alcohol, gasoline, etc.). When cleaning the device it is allowed to use a small amount of neutral detergent.

RECOMMENDATIONS

- Please read the instruction manual before using the device. Keep the manual after reading for further use.
- All illustrations in this manual are schematic representations of real objects, which may differ from the actual images.
- When using the device, do not move it.
- Do not use the device as a heat source.
- Do not leave the door open while the device is in operation.
- Do not put cans, bottles in the device. This could cause injury or damage to the device.
 - Do not place paper, cardboard, plastic, towels, etc. in/on the device because it could cause a fire.
 - Do not place the device in operation under or near curtains or other flammable materials, or under hanging cabinets, as this may result in a fire. Do not cover the device.
 - Use oven mitts or heat resistant gloves to reach trays with food.
- Place the device on a horizontal, flat, heat-resistant surface at a height out of the reach of children, keeping the distance from walls/furniture, Pic. A. This device must not be built in.
- Do not put food that is not intended to dry (flour, powder, liquids, etc.) into the device.
- Do not put any foreign objects in the ventilation openings, Pic. A. It may cause damage or electrical shock.



The operation of this device in any case does not imply application of any force to it, as this may damage the product due to user fault.



Continuous operation time should not exceed 99 hours. After 99 hours, turn off the device, unplug it and let it cool down for 1 hour.

PRODUCT SET, PIC. B

- ① Dehydrator..... 1pc.
- ② Tray for crumb 1pc.
- ③ Mesh tray for drying 5 pcs.
- Warranty card 1pc.
- Instructions manual 1pc.

ELEMENTS OF DESIGN, PIC. C

- ① Door
- ② Magnetic lock
- ③ Viewing window
- ④ Grooves for mesh
- ⑤ Fan
- ⑥ Ventilation openings
- ⑦ Control panel
- ⑧ Display

UTILIZATION

CONTROL PANEL, Pic. C-7

- ⏻ – use ON/OFF button to turn off and on the device
- ⌚ – use the button to change the temperature setting or cooking time
- + – use buttons to adjust temperature/time
- ⌚ – cooking time indication
- ⌚ – temperature setting indication

Display - indication of time/temperature of dehydration

Before first use, wipe the body of the device with a damp and soft cloth inside and out. Wash the tray and meshes with warm water and some dishwashing liquid. Wipe everything dry. **Before assembling or disassembling the device, make sure that it is unplugged.**

Turn on the empty device for 15 minutes, setting the maximum temperature to 80°C to remove odors from the new device. Ventilate the room. Let the device cool down.

Order of operation:

1. Prepare the required ingredients for dehydration. Cut them and fill the trays.
2. Place the trays with food into the device.
3. Install the crumb tray.
4. Turn on the device by pressing ⏻ button. The default cooking time is 8 hours, the cooking temperature is 35°C. Temperature adjustment range from 30°C to 80°C; time adjustment range from 1 h to 99 h.
5. Press ⌚ button, to select the setting of the cooking time or temperature.
6. With the help of – + buttons set cooking time/temperature.
7. 5 seconds after setting the time and temperature, the device will automatically start the program. To cancel the cooking program press the button ⏻.

NOTE: Do not forget to unplug the device after use.






PREPARATION RECOMMENDATIONS

Time and temperature are for reference only. Dehydration time may vary depending on the thickness of the slices, humidity and temperature in the room, and personal taste. Set the temperature to a higher setting to dry ingredients quickly. To preserve the beneficial properties of the ingredients, set the temperature to no more than 45°C.

Ingredients	Preparation	Cooking time	Notes
Drying (optimal temperature 40-50°C)			
General recommendations: Preparation includes: sorting, washing, drying, cutting, grinding, pre-soaking, marinating or cooking. Products can be dried with peel. Exceptions are the products that have edible skins - for example, pineapple, kiwi, papaya, coconut, bananas, turnips and sweet potatoes. Products for drying must not be spoiled. Particular attention is paid to the quality of raw pork, poultry and fish in order to avoid food poisoning. To preserve the color of the products it is recommended to pre-soak them in the lemon juice or solution of ascorbic acid. It is recommended before the dehydrogenation to scald with boiling water or blanch some vegetables, such as beans, corn, peas or broccoli. Raw vegetables will not be stored for a long time, heat treatment will prolong their life. Check the quality of the dried products when stored. Spoiled, moldy products must be utilized. It is recommended to record information on the duration of dehydration of the products for further use.			
Apples (pear, quince, etc.)	Cut into thin slices, remove the core	8-15 hours	Soft, bendable slices
Apricots (peaches, nectarines, etc.)	Cut in halves, remove the seed, place with cut side up	20-30 hours	Soft, bendable halves
Bananas (avocados, persimmons, etc.)	Cut in thin slices or plates	6-10 hours	Hard slices or plates
Cherry, etc.	Remove the seed, place with cut side up	12-48 hours	Resembles raisins
Blueberries (cranberries)	Select same sized berries	10-20 hours	
Melon (watermelon, pumpkin, etc.)	Peel, remove seeds, cut in big slices	10-48 hours	Soft, bendable slices

Ingredients	Preparation	Cooking time	Notes
Raspberry (black-berry, etc.)	Select same sized berries	12-48 hours	Hard berries
Strawberries	Select same sized berries, big once cut into pieces about 5 mm	8-15 hours	
Exotic fruits (pineapple, mango, etc.)	Peel, remove seeds, cut in small slices, remove the core from pineapple.	10-18 hours	Soft, bendable slices
Mushrooms	Sort, wash, dry, select same sized mushrooms, big once cut into pieces about 5 mm	10-24 hours	Hard slices
Potatoes (yam, eggplant, etc.)	Peel (if necessary), cut into slices or plates, scaled with boiling water or steam cook.	6-14 hours	Brittle slices or plates
Carrots (beets, turnips, etc.)	Peel (if necessary), cut into slices or plates or rub on a grater	6-10 hours	Hard slices or plates
Cabbage (white, or red, etc.)	Cut into strips	8-12 hours	Brittle strips
Cabbage(cauliflower, broccoli, etc.)	Disassemble into florets of equal size	10-14 hours	Brittle florets
Cucumbers (squash, zucchini, etc.)	Peel (if necessary), cut into slices or plates	8-12 hours	Hard slices or plates
Tomato	Cut big tomatoes on pieces 0,5 cm or slices. Cherry-tomatoes cut in halves, place with cut side up	5-12 hours	From soft and bendable to brittle circles
Sweet pepper (chilly pepper, etc.)	Remove the stalk and seeds from large peppers, then cut into slices or rings, place them with peel down, dry small peppers fully	5-12 hours	From soft and bendable to brittle circles
Onion	Peel, cut into circles, half-circles, strips or small	4-12 hours	Hard circles
Parsnip root (parsley, celery, etc.)	Peel (if necessary), cut into slices or plates or rub on a grater	5-12 hours	Hard or brittle circles
Peas (beans, etc.)	Clean from the pods, blanch, dry, then lay on trays	4-8 hours	Brittle and crumbling pea
Green	Sort the sprigs of greenery, wash, dry, cut, spread evenly on the trays, when drying mix them	3-8 hours	Brittle stalks
Kenyan beans (asparagus, etc.)	Wash, cut off the ends, cut finely (optional)	5-10 hours	Brittle and crumbling stalks and pods
Preparing marshmallow and snacks (temperature from 40 to 60°C)			
Fruit (berry, vegetable, etc.) marshmallow	Puree the ingredients according to the recipe, use a silicone mat or parchment. Put the prepared mass on the laid trays and smooth the surface.	8-20 hours	Plastic marshmallow, easily separated from the non-sticky paper or a silicone mat
Fruit (nut, cereal, vegetable, etc.) bar	Grind fruits and mix them with honey, nuts and/or cereal, shape into bars and put them onto the trays	5-12 hours	Dry and brittle bars
Jerky (optimal temperature from 40 to 70°C)			
Meat (no fat)	Cut the meat across the fibers. Use brines and marinades for pre-salting meat pieces, when drying remove fat drops with a tissue from meat slices	4-6 hours	When banded slices 't may crack, but must not break
Fish (only low fat)	Use special marinades, before drying fish must be washed of salt	12-14 hours	Fish must be free of visible wet surfaces, when pushed, should not be brittle

Ingredients	Preparation	Cooking time	Notes
Poultry	Use same brines and marinades as for meat; separate the meat from bones, cut the meat across the fibers.	4 hours	Much harder than beef
Dehydrating herbs and flowers (optimum temperature 35-40°C)			
Basil leaves	Rinse and remove any remaining moisture. Place prepared mass on the covered trays and smooth the surface.	1-2 hours	-
Green onions	Rinse, remove residual moisture and chop. Place on covered trays, flatten.	1-2 hours	
Dill	Rinse and remove excess moisture, cut according to desired size.	7-9 hours	Brittle and crumbling blades of grass.

				
60-80°F 6-10⊙	45-75°F 4-8⊙	35-70°F 2-12⊙	40-60°F 2-6⊙	50-70°F 3-8⊙
Fruits	Vegetables	Meat	Flowers	Herbs

Preparing yogurt, kefir, etc. (optimum temperature 40°C).



- Place 1 liter of milk (22-24 ° C) in a clean bowl, add Oursson «Yogurt» starter.
- Stir the milk and starter culture for 2-3 minutes.
- Pour the milk mixture into a pre-sterilized container, close the lid.
- First remove all mesh trays from the device.
- Place the container with the product on the lower level.
The container must not come into contact with the walls of the device. Do not place containers close to the fan, leave 3-4 cm of free space.
- Set the cooking time to 8 hours and the temperature to 40°C.
- At the end of cooking, check the readiness. Add time if needed.
- Put yogurt in the refrigerator for 2 hours, then serve.

NOTE: It is not recommended to use your own yogurt as a starter culture more than 3 times. It is necessary to renew the leaven. Use different starter cultures for Oursson fermented milk products.

Preparing yeast dough or dough (optimum temperature 35°C)

- Prepare a dough or yeast dough and place it in a bowl.
- Cover the dough with cling film to prevent chapping.
- First remove all mesh trays from the device.
- Place the bowl of dough on the lower level. The bowl must not come into contact with the walls of the device. Do not place bowl close to the fan, leave 3-4 cm of free space.
- Set the cooking time to 1 hour and the temperature to 35°C. Check the level of the dough in the bowl periodically.
- Add time if needed or press the ⊙ button to stop the program.

CLEANING AND MAINTENANCE, Pic. D

-  Unplug the device. Wait for the fan to stop and let the device cool down.
- Wash the meshes and crumb tray with warm water and some dishwashing liquid. They are dishwasher safe. **The temperature should not exceed 60°C.**
-  Wipe the inside and outside of the body with a damp cloth. Never immerse it in water because of the danger of electric shock.
- Dry all parts thoroughly.

POSSIBLE PROBLEMS AND SOLUTIONS

Problem	Cause	Solution
Dehydrator isn't gaining the temperature and isn't pumping air	• No power supply.	• Check the outlet, if it is active contact the service center.
Dehydrator gains temperature, but isn't pumping air	• Motor stopped.	• Immediately turn off the device and contact a service center. If liquids are spilled into the base of the dehydrator, unplug the device and contact a service center to replace the motor unit.
Products dry slow	• Trays are filled.	• Unload the trays.
Uneven drying of the products	• Products or pieces have an unequal size.	• Cut the products into equal pieces and place them evenly.
Fan noise	• Fan is defective.	• Contact a service center.

PRODUCT CERTIFICATION

For information on product certification, see <http://www.oursson.ru> or ask seller for a copy.

Specifications	
Model	DR5000D
Power consumption, W	max 300
Rated voltage	220-240V~; 50-60 Hz
Class of protection against electrical shock	I
Storage and transportation temperature	-25°C to + 35°C
Operating temperature	+5°C to +35°C
Humidity Requirements	15-75% without condensate
Size of the device, mm	285x260x224
Weight, kg	2,5

*Products should be stored in dry, ventilated warehouses at temperatures below - 25°C.



Repairation must be performed only by a qualified personnel authorized by OURSSON service center.

SERVICING

Company OURSSON expresses great appreciation to you for choosing our products. We have done everything possible so that this meets your needs, and the quality corresponds to the best world standards. If your OURSSON branded product will need maintenance, please contact one of the authorized service center (hereinafter - ASC). A complete list of ASC and their exact addresses can be found on the website www.oursson.ru.

Warranty obligations OURSSON:

1. Warranty obligations OURSSON, provided ASC OURSSON, apply only to models designed OURSSON for the production or supply and sale within the country where the warranty service is provided, purchased in this country, certified for compliance with the standards of this country, and also marked the with official marks of conformity.
2. Warranty obligations OURSSON operate within the law on protection of consumer rights and are regulated by the laws of the country in which they are provided, and only when the product is used exclusively for personal, family or household purposes. Warranty obligations OURSSON shall not apply to uses of goods for business purposes or in connection with the acquisition of goods to meet the needs of enterprises, institutions and organizations.
3. OURSSON sets for its products the following terms of use and warranty periods:

Product name	Terms of use, months	Warranty Period, months
Microwave ovens, bread makers, induction stoves, Multicookers, kitchen processors, kitchen machines, electric kettles, electric grills, blenders, mixers, meat grinders, toasters, thermo pots, roasters, coffee makers, steamers, juice makers, choppers, dehydrators, yogurt makers, fermenters, mini-ovens, freezers, refrigerators, automatic coffee machines Kitchen scales, siphons	60	24

4. Warranty obligations OURSSON shall not apply to the following products, if their replacement is assumed and is not connected with disassembling products:
 - Batteries.
 - Cases, straps, cords for carrying, mounting accessories, tools, documentation that came with the product.
5. Warranty does not cover defects caused due to violations of the rules of consumer use, storage or transportation of the goods, actions of third parties or force majeure, including but not limited to the following cases:
 - If the defect was a result of careless handling, used for other purposes, violations of conditions and rules of operation set forth in the instruction manual, including as a result of exposure to high or low temperatures, high humidity or dust, traces of opening the device independently and/or self-repair, mismatch state standards for power grids, getting liquids, insects or other foreign

objects, substances inside the device, as well as long-term use of the product in extreme operational modes.

- If the defect of the product was a result of unauthorized attempts to test the product or make any changes in its construction or software programs, including repair or maintenance in unauthorized service centers.
 - If the defect of the product was a result of use of non-standard and/or low quality equipment, accessories, spare parts, batteries.
 - If the defect of the product is associated with its use in conjunction with additional equipment (accessories), other than additional equipment recommended by OURSSON for use with this product. OURSSON is not responsible for the quality of the additional equipment (accessories) manufactured by third parties, for the quality of its products together with such equipment, as well as the quality of the work of the additional equipment of OURSSON together with the products of other manufacturers.
6. Product defects detected during the lifetime of the product are eliminated by the authorized service centers (ASC). During the warranty period, elimination of defects is free of charge with the presentation of the original certificate of guarantee and documents that confirm the fact and date of the contract of retail purchase. In the absence of such documents, warranty period is calculated from the date of manufacture of goods. It should be taken into account:
 - Setup and Installation (assembly, the connection, etc.) of the product described in the documentation attached to it, does not enter the scope of warranty OURSSON and can be performed by the user as well as the specialists of most authorized service centers on a paid basis.
 - Work upon maintenance of products (cleaning and lubricating the moving parts, replacement of consumables and supplies, etc.) are made on a paid basis.
 7. OURSSON is not responsible for any damage directly or indirectly caused by their products to people, pets, property, if it occurred as a result of non-observance of the rules and conditions of use, storage, transportation or installation of the product, intentional or negligent actions of consumer or third parties.
 8. Under no circumstances, OURSSON is not responsible for any special, incidental, indirect or consequential loss or damage, including but not limited to: lost profits, damages caused by interruptions in the commercial, industrial or other activities, arising from the use of or inability to use the product.
 9. Due to continuous product improvement, design elements and some technical specifications are subject to change without prior notice from the manufacturer.
- Using the product when after the terms of use (lifetime):**
1. Lifetime set by OURSSON for this product applies only when the product is used exclusively for personal, family or household needs, as well as the consumer observes the correct operation, storage and transportation of products. Under the condition of careful handling of the product and compliance with the rules of operation the actual life may exceed the lifetime set by OURSSON.
 2. At the end of the product lifetime, you should contact an authorized service center for to conduct a preventive maintenance of the product and determine the suitability for

further use. Work on conducting a preventive maintenance of the products is also made in service centers on paid basis.

3. OURSSON does not recommend the use of this product after the end of its lifetime without its preventive maintenance by the authorized service center, since in this case, the product can be dangerous to the life, health or property of the consumer.

Product Recycling and Disposal

This appliance has been identified in accordance with the European directive 2002/96/EG on Waste Electrical and Electronic Equipment – WEEE.

After the expiration of the lifetime, the product cannot be disposed with another household waste. Instead, it shall be deposited in the appropriate recycling collection point for electrical and electronic equipment for proper treatment and disposal in accordance with federal or local law. By disposing correctly this product, you will help to conserve natural resources and preventing the product from damaging the environment and human health. For more information on the collection point and recycling of this product, please contact your local municipal authorities or the enterprise for household waste disposal.



Date of manufacture

Each product has a unique serial number in the form of alphanumeric row and is duplicated with a barcode that contains the following information: name of the product group, date of manufacture, serial number of the product.



Serial number is located on the rear of the product, on the package and the warranty card.

- 1 The first two letters- correspondence to the product group (dehydrator - DR).
- 2 The first two digits – year of manufacture.
- 3 The second two digits – month of manufacture.
- 4 The last two digits – serial number of product.



To avoid misunderstandings, we highly recommend you to read carefully the instruction manual and the warranty obligations. Check the correctness of the warranty card. Warranty card is valid only if the following are correctly and clearly stated: model, serial number, date of purchase, clear stamps, buyer's signature. The serial number and the model of the device must be the same as in the warranty card. If these conditions are not fulfilled or the data specified in the warranty card was changed, the warranty card is invalid.

ИНСТРУКЦИЯ ПО БЕЗОПАСНОСТИ, Рис. А

**Символ опасности**

Напоминание пользователю о высоком напряжении.

**Символ предупреждения**

Напоминание пользователю о необходимости проведения всех действий в соответствии с инструкцией.

**Символ опасности ожога**

Напоминание пользователю о высокой температуре.

При использовании электрических приборов следует соблюдать следующие меры предосторожности:

- Используйте прибор согласно данному руководству по эксплуатации.
- Устанавливайте прибор на устойчивую поверхность.
- Используйте только приспособления, входящие в комплект устройства.
 - Чтобы предотвратить риск пожара или удара током, избегайте попадания в устройство воды и эксплуатации устройства в условиях высокой влажности. Если по каким-то причинам вода попала внутрь устройства, обратитесь в уполномоченный сервисный центр (VCL) OURSSON.
- Для электропитания прибора используйте электросеть с надлежащими характеристиками.
- Не используйте прибор в помещениях, где в воздухе могут содержаться пары легковоспламеняющихся веществ.
 - Никогда самостоятельно не вскрывайте устройство – это может стать причиной поражения электрическим током, привести к выходу прибора из строя и аннулирует гарантийные обязательства производителя. Для ремонта и технического обслуживания обращайтесь только в сервисные центры, уполномоченные для ремонта изделий торговой марки OURSSON.
- При перемещении устройства из прохладного помещения в теплое и наоборот распакуйте его перед началом эксплуатации и подождите 1-2 часа, не включая.
 - В целях предотвращения поражения электрическим током не допускайте погружения проводов или всего изделия в воду.
- Будьте особенно осторожны и внимательны, если рядом с работающим прибором находятся дети.
- Не дотрагивайтесь до горячих поверхностей прибора, это может привести к травме.
- Шнур питания специально сделан относительно коротким во избежание риска получения травмы.
- Не допускайте свисания шнура через острый край стола или его касания нагретых поверхностей.
- Не подключайте данный прибор к сети, перегруженной другими электроприборами: это может привести к тому, что прибор не будет функционировать должным образом.
- Не устанавливайте изделие вблизи газовых и электрических плит, а также духовок.
- Не используйте прибор при поврежденном шнуре питания, а также в случаях, если нарушена нормальная работа изделия, если оно падало или было повреждено каким-либо другим образом.
- При отключении изделия от сети держитесь только за вилку, не тяните за провод – это может привести к повреждению провода или розетки и вызвать короткое замыкание.
- По окончании использования отключите изделие



- от сети.
- Оберегайте устройство от ударов, падений, вибраций и иных механических воздействий.
- Обязательно отключайте устройство от сети перед началом мойки.
- Не используйте изделие вне помещений.
- Этот прибор не предназначен для использования людьми (включая детей) с ограниченными физическими, сенсорными или умственными способностями, или нехваткой опыта и знаний. Они могут пользоваться прибором только под наблюдением человека, ответственного за их безопасность, или после инструктажа по безопасному использованию прибора. Не позволяйте детям играть с изделием.
- Настоящее изделие предназначено только для использования в быту.
- Не используйте при чистке прибора абразивные материалы и органические чистящие средства (спирт, бензин и т.д.). Для чистки корпуса прибора допускается использование небольшого количества нейтрального моющего средства.

РЕКОМЕНДАЦИИ

- Перед использованием устройства внимательно ознакомьтесь с руководством пользователя. После чтения, пожалуйста, сохраните его для использования в будущем.
- Все иллюстрации, приведенные в данной инструкции, являются схематичными изображениями реальных объектов, которые могут отличаться от их реальных изображений.
- Во время использования не перемещайте прибор.
- Не используйте прибор, как источник тепла.
- Не оставляйте дверцу открытой во время работы прибора.
 - Не помещайте в прибор консервные банки, бутылки. Это может привести к травме или поломке прибора.
 - Не помещайте в/на прибор бумагу, картон, пластик, полотенца и т.д., т.к. это может вызвать пожар.
 - Не размещайте работающий прибор под или рядом с занавесками или иными легковоспламеняющимися материалами, а также под навесными шкафами, поскольку это может привести к пожару. Не накрывайте прибор.
- Используйте прихватки или термостойкие перчатки, чтобы достать лотки с продуктами.
- Установите прибор на горизонтальной ровной термостойкой поверхности на высоте, недосягаемой детьми, соблюдая расстояние от стен/мебели, Рис. А. Данный прибор запрещается встраивать.
- Не помещайте в прибор продукты, не предназначенные для сушки (муку, порошок, жидкости и т.д.).
- Не помещайте никакие посторонние предметы в отверстия для вентиляции, Рис. А. Это может вызвать повреждение или опасность поражения электрическим током.

If you have questions or problems with OURSSON products - please contact us by e-mail: support@oursson.com

This manual is under protection of international and EU copyright law. Any unauthorized use of the instructions, including copying, printing and distribution, but not limited to, involves the application of the guilty person to civil liability and criminal liability.

Contact information:

1. Manufacturer of goods - Jiangmen Samdell Technology Appliance Co. Ltd, 3rd Floor, Building H, Zhichong Industrial Zone B, No. 46 Gaoxin East Road, Jianghai District, Jiangmen, China .
2. Certification information product available on the website www.oursson.ru.

OURSSON
Made in China





Эксплуатация данного прибора ни в коем случае не подразумевает применение к нему физической силы, так как это может привести к поломке изделия по вине пользователя.



Время непрерывной работы не должно превышать 99 часов. По истечении 99 часов работы выключите устройство, отключите его от электрической сети и дайте прибору остыть в течение часа.

КОМПЛЕКТАЦИЯ, Рис. В

- 1 Дегидратор..... 1 шт.
- 2 Поддон для крошек..... 1 шт.
- 3 Сетчатый лоток для сушки..... 5 шт.
- Инструкция по эксплуатации..... 1 шт.
- Гарантийный талон..... 1 шт.

ЭЛЕМЕНТЫ КОНСТРУКЦИИ, Рис. С

- 1 Дверца
- 2 Магнитный замок
- 3 Смотровое окно
- 4 Пазы для решеток
- 5 Вентилятор
- 6 Отверстия для вентиляции
- 7 Панель управления
- 8 Дисплей

ИСПОЛЬЗОВАНИЕ, Рис. С

Панель управления, Рис. С-7

– кнопка ВКЛ/ВЫКЛ, используйте для включения или выключения прибора

– используйте кнопку для выбора изменения установок температуры или времени приготовления

– используйте кнопки для регулирования температуры/времени

– индикация установки времени приготовления

– индикация установки температуры

Дисплей - индикация времени/температуры дегидрации

Перед первым использованием, протрите корпус прибора влажной и мягкой тканью внутри и снаружи. Вымойте лотки и сетки тёплой водой с добавлением жидкости для мытья посуды. Вытрите все насухо.

Перед сборкой или разборкой прибора убедитесь, что прибор выключен из розетки.

Включите пустой прибор на 15 минут, установив максимальную температуру 80°C, чтобы удалить запахи нового прибора. Проветрите помещение. Дайте прибору остыть.

Порядок работы:

1. Подготовьте необходимые ингредиенты для дегидрации. Нарежьте их и заполните лотки.
2. Установите лотки с подготовленными ингредиентами в прибор.
3. Установите поддон для крошек.
4. Включите прибор, нажав на кнопку . По умолчанию время приготовления 8 часов, температура приготовления 35°C. Диапазон регулировки температуры от 30°C до 80°C; диапазон регулировки времени от 1 часа до 99 часов.
5. Нажмите кнопку , чтобы выбрать установку времени или температуры приготовления.
6. С помощью кнопок установите время/температуру приготовления.
7. Через 5 сек после установки времени и температуры прибор автоматически начнет выполнение программы. Для того, чтобы отменить программу приготовления нажмите кнопку .

ПРИМЕЧАНИЕ: Не забывайте отключать прибор от электрической сети по окончании использования.


РЕКОМЕНДАЦИИ ПО ПРИГОТОВЛЕНИЮ

Время и температура носит справочный рекомендательный характер. Время дегидрации может отличаться в зависимости от толщины ломтиков, влажности и температуры в помещении, личных вкусовых предпочтений.

Для быстрой сушки ингредиентов установите более высокое значение температуры. Для сохранения полезных свойств ингредиентов устанавливайте значение температуры не более 45°C

Ингредиенты	Подготовка	Время приготовления	Комментарии
Сушка (оптимальная температура 40-50°C)			
Общие рекомендации: Подготовка ингредиентов включает в себя: сортировку, мытьё, сушку, нарезку, измельчение, предварительное замачивание, маринование или тепловую обработку. Продукты можно сушить вместе с кожурой. Исключение составляют продукты, у которых кожура несъедобна - например, ананас, киви, папайя, кокос, бананы, репа и сладкий картофель. Продукты для сушки должны быть качественными, без следов порчи. Особенное внимание уделяйте качеству сырой свинины, курятины, дичи и рыбы во избежание пищевых отравлений. Для сохранения цвета продуктов рекомендуется предварительно замочить их в лимонном соке или растворе аскорбиновой кислоты. Рекомендуется перед дегидрированием бланшировать или ошпаривать кипятком некоторые виды овощей, таких как стручковая фасоль, кукуруза, горох или брокколи. Необработанные овощи не будут долго храниться, а термическая обработка и продлит их срок годности. Проверяйте качество высушенных продуктов в процессе их хранения. Испорченные, заплесневевшие и т.п. продукты необходимо утилизировать. Рекомендуется фиксировать информацию по продолжительности сушки продуктов, чтобы пользоваться этими данными в дальнейшем.			
Яблоки (груши, айва и т.п.)	Нарежьте тонкими дольками, сердцевину удалите.	8-15 часов	Мягие, гнущиеся ломтики.
Абрикосы (персики, нектарины и т.п.)	Разрежьте на половинки, удалите косточки, разрежьте на половинки.	20-30 часов	Мягие, гнущиеся половинки.

Ингредиенты	Подготовка	Время приготовления	Комментарии
Бананы (авокадо, хурма и т.п.)	Нарежьте тонкими кружочками или пластинками.	6-10 часов	Жёсткие кружочки или пластинки.
Вишня (черешня и т.п.)	Удалите косточки, разложите на лотки разрезом вверх.	12-48 часов	По виду напоминают изюм.
Голубика (черника, брусника, клюква)	Отбирайте ягоды одинакового размера.	10-20 часов	
Дыня (арбуз, тыква и т.п.)	Срежьте корки, удалите косточки, нарежьте толстыми ломтиками.	10-48 часов	Мягие, гнущиеся ломтики.
Малина (ежевика и т.п.)	Отбирайте ягоды одинакового размера.	12-48 часов	
Клубника (земляника и т.п.)	Отбирайте ягоды одинакового размера, крупные ягоды разрежьте на кусочки толщиной не более 5 мм.	8-15 часов	Жёсткие ягоды.
Экзотические фрукты (ананас, манго и т.п.)	Срежьте корки, удалите косточки, нарежьте тонкими ломтиками, у ананаса удалите сердцевину.	10-18 часов	Мягие, гнущиеся ломтики.
Грибы	Переберите, промойте, обсушите, отбирайте грибы одинакового размера, крупные порежьте пластинками толщиной не более 5 мм.	10-24 часов	Жёсткие пластинки.
Картофель (топинамбур, батат, баклажаны и т.п.)	Почистите (если есть необходимость), порежьте дольками, кружочками или пластинками, ошпарьте кипятком или отварите на пару.	6-14 часов	Ломкие дольки или пластинки.
Морковь (свёкла, репа и т.п.)	Почистите (если есть необходимость), порежьте кружочками, пластинками или натрите на тёрке.	6-10 часов	Жёсткие кружочки или пластинки.
Капуста (белокочанная, краснокочанная и т.п.)	Порежьте соломкой.	8-12 часов	Ломкие пластинки.
Капуста (цветная, брокколи и т.п.)	Разберите на соцветия одинакового размера.	10-14 часов	Ломкие соцветия.
Огурцы (кабачки, цукини и т.п.)	Почистите (если есть необходимость), порежьте дольками, кружочками или пластинками.	8-12 часов	Жёсткие кружочки или пластинки.
Томаты	Порежьте крупные томаты на кусочки размером 0,5 см или кружочки. Черри-томаты порежьте на половинки разложите на лотки разрезанной стороной вверх.	5-12 часов	От мягких и гнущихся до ломких кружков.
Сладкий перец (острый перец и т.п.)	Удалите плодоножку и семена у крупных перцев, затем порежьте пластинками или кольцами, разложите на лотки кожей вниз, мелкий перец сушите целиком.	5-12 часов	От мягких и гнущихся до ломких.
Лук репчатый	Почистите, затем порежьте кольцами, полукольцами, соломкой или мелко.	4-12 часов	Жёсткие кольца.
Корень пастернака (петрушка, сельдерей и т.п.)	Почистите, порежьте кружочками, пластинками или натрите на тёрке.	5-12 часов	Жёсткие или ломкие кружочки (пластинки).
Горох (фасоль и т.п.)	Очистите от стручков, бланшируйте, обсушите, затем разложите на лотки.	4-8 часов	Ломкие и крошащиеся горошины.
Зелень	Переберите веточки зелени, промойте, обсушите, порежьте, разложите на лотки равномерным слоем, в процессе сушки перемешивайте.	3-8 часов	Ломкие стебли.
Кенийская фасоль (спаржа и т.п.)	Помойте, срежьте кончики, порежьте мельче (по желанию).	5-10 часов	Ломкие и крошащиеся стебли и стручки.
Приготовление пастилы и снеков (температура от 40 до 60°C)			
Фруктовая (ягодная, овощная и т.п.) пастила	Пюрируйте ингредиенты согласно рецепту, используйте силиконовые коврики или пергамент. Выложите подготовленную массу на застеленные лотки и разровняйте поверхность).	8-20 часов	Пастила пластичная, нелипкая хорошо отделяется от бумаги или силиконового коврика.
Фруктовые (ореховые, злаковые, и т.п.) батончики	Измельчите фрукты и перемешайте их с мёдом, орехами и/или злаками, сформируйте из порционной массы батончики и разложите в лотки.	5-12 часов	Сухие и ломкие батончики.

Ингредиенты	Подготовка	Время приготовления	Комментарии	
Вяление (оптимальная температура от 40 до 70°C)				
Мясо (без вкрапления жира)	Резьте мясо поперёк волокон. Используйте рассолы и маринады для предварительного засаливания кусочков мяса, в процессе сушки удаляйте салфеткой жирные капли с поверхности кусочков мяса.	4-6 часов	Кусочки при сгибании могут потрескаться, но не должны ломаться.	
Рыба (только с низким содержанием жира)	Используйте специальные маринады для засолки рыбы, перед сушкой, рыбу следует промыть от соли.	12-14 часов	Рыба не должна иметь видимых влажных поверхностей, при нажатии не должна быть ломкой.	
Птица (домашняя)	Используйте рассолы и маринады такие же как для мяса, отделите мясо птицы от костей и порежьте поперёк волокон.	4 часа	По сравнению с говядиной немного жёстче.	
Сушка трав и цветов (оптимальная температура 35-40°C)				
Листья базилика	Промойте и удалите остатки влаги. Выложите подготовленную массу на застеленные лотки и разровняйте поверхность.	1-2 часа	-	
Зеленый лук	Промойте, удалите остатки влаги и нашинкуйте. Выложите на застеленные лотки, разровняйте.	1-2 часа		
Укроп	Промойте и удалите лишнюю влагу, нарежьте в зависимости от желаемого размера.	7-9 часов	Ломкие и крошащиеся травинки.	
				
60-80° 6-10⊙	45-75° 4-8⊙	35-70° 2-12⊙	40-60° 2-6⊙	50-70° 3-8⊙
Фрукты	Овощи	Мясо	Цветы для чая и лечебных отваров	Пряные травы

Приготовление йогурта, кефира, мацони и т.д. (оптимальная температура 40°C).


- Поместите в чистую миску 1 литр молока (22-24°C), добавьте закваску «Йогурт» Oursson.
- Перемешайте молоко с закваской в течение 2-3 минут.
- Перелейте молочную смесь в заранее простерилизованную посуду, закройте крышкой.
- Предварительно удалите все сетчатые лотки из прибора.
- Поместите на нижний уровень посуду с продуктом. **Посуда не должна соприкасаться со стенками прибора. Не устанавливайте посуду близко к вентилятору, оставляйте 3-4 см свободного пространства.**
- Установите время приготовления – 8 часов, а температуру – 40°C.
- По окончании приготовления проверьте готовность. Добавьте время, если это необходимо.
- Поставьте йогурт в холодильник на 2 часа, затем подавайте к столу.

Примечание: Не рекомендуется использовать в качестве закваски йогурт собственного производства более 3-х раз. необходимо обновлять закваску. Используйте различные закваски для кисломолочных продуктов Oursson.

Приготовление дрожжевого теста или опары (оптимальная температура 35°C)

- Подготовьте опару или дрожжевое тесто и поместите его в миску.
- Накройте опару/тесто пищевой пленкой для предотвращения обветривания.
- Предварительно удалите все сетчатые лотки из прибора.
- Поместите миску с тестом на нижний уровень. **Посуда не должна соприкасаться со стенками прибора. Не устанавливайте посуду близко к вентилятору, оставляйте 3-4 см свободного пространства.**
- Установите время приготовления – 1 час и температуру – 35°C. Периодически проверяйте уровень теста в миске.
- Добавьте время, если это необходимо или нажмите кнопку ☺, чтобы выключить программу.

ЧИСТКА И УХОД, Рис. D

-  Отключите прибор от сети, дождитесь остановки вентилятора и дайте прибору остыть..
- Вымойте сетки и поддон для крошек тёплой водой с добавлением жидкости для мытья посуды. Их можно мыть в посудомоечной машине. **Температура не должна превышать 60°C.**
 - Протрите корпус прибора внутри и снаружи влажной тканью. Никогда не погружайте его в воду из-за опасности поражения электрическим током.
- Тщательно высушите все детали.

ВОЗМОЖНЫЕ ПРОБЛЕМЫ И СПОСОБЫ ИХ РЕШЕНИЯ

Возможная проблема	Возможная причина	Способы решения
Дегидратор не набирает температуру и не нагнетает воздух	• Нет питания от сети.	• Проверьте розетку, если розетка исправна, обратитесь в сервисный центр.
Дегидратор набирает температуру, но не нагнетает воздух	• Произошла остановка мотора.	• Немедленно отключите прибор и обратитесь в сервисный центр. В случае попадания жидкости в основание дегидратора, отключите прибор и обратитесь в сервисный центр для замены моторного блока.
Продукты медленно сушатся	• Лотки переполнены.	• Разгрузите лотки, проверьте правильность их установки.
Неравномерное высушивание продуктов	• Продукты или кусочки ингредиентов неодинакового размера.	• Нарезайте продукты одинаковыми кусочками и раскладывайте их равномерным слоем.
Шум вентилятора	• Вентилятор неисправен.	• Обратитесь в сервисный центр.

СЕРТИФИКАЦИЯ ПРОДУКЦИИ

Информацию о сертификате соответствия смотрите на сайте <http://www.oursson.ru> или спрашивайте копию у продавца.



Ремонт должен производиться только квалифицированным специалистом уполномоченного сервисного центра OURSSON.

Технические характеристики	
Модель	DR5000D
Потребляемая мощность, Вт	max 300
Параметры электропитания	~220-240 В; 50-60 Гц
Класс защиты от поражения электрическим током	I
Температура хранения и транспортировки*	от -25°C до +35°C
Температура эксплуатации	от +5°C до +35°C
Требования к влажности воздуха при транспортировке, хранении и эксплуатации	15-75% без образования конденсата
Размеры прибора, мм	285x260x224
Вес прибора, кг	2,5

*Продукция должна храниться в сухих, проветриваемых складских помещениях при температуре не ниже - 25°C.

СЕРВИСНОЕ ОБСЛУЖИВАНИЕ

Компания OURSSON выражает вам огромную признательность за выбор нашей продукции. Мы сделали все возможное, чтобы данное изделие удовлетворяло вашим запросам, а качество соответствовало лучшим мировым образцам. В случае, если ваше изделие марки OURSSON будет нуждаться в техническом обслуживании, просим вас обращаться в один из Уполномоченных Сервисных Центров (далее – УЦЦ). С полным списком УЦЦ и их точными адресами вы можете ознакомиться на сайте www.oursson.ru, а также позвонив по номеру телефона бесплатной горячей линии OURSSON. В случае возникновения вопросов или проблем, связанных с продукцией OURSSON, просим вас обращаться в письменном виде в организацию, уполномоченную на принятие и удовлетворение требований

потребителей в отношении товара ненадлежащего качества, либо по электронной почте info@oursson.ru.

Условия Гарантийных обязательств OURSSON:

- Гарантийные обязательства OURSSON, предоставляемые УЦЦ OURSSON, распространяются только на модели, предназначенные OURSSON для производства или поставок и реализации на территории страны, где предоставляется гарантийное обслуживание, приобретенные в этой стране, прошедшие сертификацию на соответствие стандартам этой страны, а также маркированные официальными знаками соответствия.

2. Гарантийные обязательства OURSSON действуют в рамках законодательства о защите прав потребителей и регулируются законодательством страны, на территории которой они предоставлены, и только при условии использования изделия исключительно для личных, семейных или домашних нужд. Гарантийные обязательства OURSSON не распространяются на случаи использования товаров в целях осуществления предпринимательской деятельности либо в связи с приобретением товаров в целях удовлетворения потребностей предприятий, учреждений, организаций.
3. OURSSON устанавливает на свои изделия следующие сроки службы и гарантийные сроки:

Название продукта	Срок службы, месяцев со дня покупки	Гарантийный срок, месяцев со дня покупки
Микроволновые печи, хлебопечи, индукционные плиты	60	12
Мультиварки, кухонные процессоры, кухонные машины, электрические чайники, электрические грили, блендеры, миксеры, мясорубки, тостеры, термолоты, ростеры, кофеварки, пароварки, соковыжималки, измельчители, дегидраторы, йогуртницы, ферментаторы, минидуховки, морозильники, холодильники, автоматические кофемашины, вспениватели	36	12
Кухонные весы, сифоны	24	12

4. Гарантийные обязательства OURSSON не распространяются на перечисленные ниже принадлежности изделия, если их замена предусмотрена конструкцией и не связана с разборкой изделия:
- Элементы питания.
 - Чехлы, ремни, шнуры для переноски, монтажные приспособления, инструмент, документацию, прилагаемую к изделию.
5. Гарантия не распространяется на недостатки, возникшие в изделии вследствие нарушения потребителем правил использования, хранения или транспортировки товара, действия третьих лиц или непреодолимой силы, включая, но не ограничиваясь следующими случаями:
- Если недостаток товара явился следствием небрежного обращения, применения товара не по назначению, нарушения условий и правил эксплуатации, изложенных в инструкции по эксплуатации, в том числе вследствие воздействия высоких или низких температур, высокой влажности или запыленности, следах вскрытия корпуса прибора и/или самостоятельного ремонта, несоответствия государственным стандартам параметров питающих сетей, попадания внутрь корпуса жидкости, насекомых и других посторонних предметов, веществ, а также длительного использования изделия в предельных режимах его работы.
 - Повреждения и дефекты, вызванные качеством воды и отложением накипи (очистка от накипи и чистка не входит в гарантийное обслуживание

и должна РЕГУЛЯРНО производиться Вами самостоятельно).

- Если недостаток товара явился следствием несанкционированного тестирования товара или попыток внесения любых изменений в его конструкцию или его программное обеспечение, в том числе ремонта или технического обслуживания в неуполномоченной OURSSON ремонтной организации.
 - Если недостаток товара явился следствием использования нестандартных (нетиповых) и (или) некачественных принадлежностей, аксессуаров, запасных частей, элементов питания.
 - Если недостаток товара связан с его применением совместно с дополнительным оборудованием (аксессуарами), отличным от дополнительного оборудования, рекомендованного OURSSON к применению с данным товаром. OURSSON не несет ответственность за качество дополнительного оборудования (аксессуаров), произведенного третьими лицами, за качество работы своих изделий совместно с таким оборудованием, а также за качество работы дополнительного оборудования производства компании OURSSON совместно с изделиями других производителей.
6. Недостатки товара, обнаруженные в период срока службы, устраняются уполномоченными на это ремонтными организациями (УСЦЛ). В течение гарантийного срока устранение недостатков производится бесплатно при предъявлении оригинала заполненного гарантийного талона и документов, подтверждающих факт и дату заключения договора розничной купли-продажи (товарный, кассовый чек и т. п.). В случае отсутствия указанных документов гарантийный срок исчисляется со дня изготовления товара. При этом следует учитывать:
- Настройка и установка (сборка, подключение и т. п.) изделия, описанная в документации, прилагаемой к нему, не входит в объем гарантийных обязательств OURSSON и могут быть выполнены как самим пользователем, так и специалистами большинства уполномоченных сервисных центров соответствующего профиля на платной основе.
 - Работы по техническому обслуживанию изделий (чистка и смазка движущихся частей, замена расходных материалов и принадлежностей и т. п.) производятся на платной основе.
7. OURSSON не несет ответственности за возможный вред, прямо или косвенно нанесенный своей продукцией людям, домашним животным, имуществу в случае, если это произошло в результате несоблюдения правил и условий эксплуатации, хранения, транспортировки или установки изделия; умышленных или неосторожных действий потребителя или третьих лиц.
8. Ни при каких обстоятельствах OURSSON не несет ответственности за какой-либо особый, случайный, прямой или косвенный ущерб или убытки, включая, но не ограничиваясь перечисленным, упущенную выгоду, убытки, вызванные перерывами в коммерческой, производственной или иной деятельности, возникающие в связи с использованием или невозможностью использования изделия.

9. Вследствие постоянного совершенствования продукции элементы дизайна и некоторые технические характеристики продукта могут быть изменены без предварительного уведомления со стороны производителя.

Использование изделия по истечении срока службы

1. Срок службы, установленный OURSSON для данного изделия, действует только при условии использования изделия исключительно для личных, семейных или домашних нужд, а также соблюдении потребителем правил эксплуатации, хранения и транспортировки изделия. При условии аккуратного обращения с изделием и соблюдения правил эксплуатации фактический срок службы может превышать срок службы, установленный OURSSON.
2. По окончании срока службы изделия вам необходимо обратиться в Уполномоченный сервисный центр для проведения профилактического обслуживания изделия и определения его пригодности к дальнейшей эксплуатации. Работы по профилактическому обслуживанию изделия и его диагностике выполняются сервисными центрами на платной основе.
3. OURSSON не рекомендует продолжать эксплуатацию изделия по окончании срока службы без проведения его профилактического обслуживания в Уполномоченном сервисном центре, т. к. в этом случае изделие может представлять опасность для жизни, здоровья или имущества потребителя.

Утилизация изделия

Этот бытовой электроприбор имеет обозначение согласно требованиям Директивы ЕС 2002/96/EG об отслуживших свой срок электрических и электронных приборах (waste electrical and electronic equipment – WEEE). После окончания срока службы изделия его нельзя выбрасывать вместе с обычным бытовым мусором. Вместо этого оно подлежит сдаче на утилизацию в соответствующий пункт приема электрического и электронного оборудования для последующей переработки и утилизации в соответствии с федеральным или местным законодательством. Обеспечивая правильную утилизацию данного продукта, вы помогаете сберечь природные ресурсы и предотвращаете ущерб для окружающей среды и здоровья людей, который возможен в случае ненадлежащего обращения. Более подробную информацию о пунктах приема и утилизации данного продукта можно получить в местных муниципальных органах или на предприятии по вывозу бытового мусора.



Дата производства

Каждому изделию присваивается уникальный серийный номер в виде буквенно-цифрового ряда и дублируется штрих-кодом, который содержит следующую информацию: название товарной группы, дату производства, порядковый номер изделия. Серийный номер располагается на задней панели продукта, на упаковке и в гарантийном талоне.



Серийный номер располагается на задней панели продукта, на упаковке и в гарантийном талоне.

- 1 Первые две буквы – соответствие товарной группе (дегидратор – DR)
- 2 Первые две цифры – год производства
- 3 Вторые две цифры – месяц производства
- 4 Последние цифры – порядковый номер изделия



Во избежание недоразумений убедительно просим вас внимательно изучить Руководство по эксплуатации изделия и условия гарантийных обязательств, проверить правильность заполнения гарантийного талона. Гарантийный талон действителен только при наличии правильно и четко указанных: модели, серийного номера изделия, даты покупки, четких печатей фирмы-продавца, подписи покупателя. Серийный номер и модель изделия должны соответствовать указанным в гарантийном талоне. При нарушении этих условий, а также в случае, когда данные, указанные в гарантийном талоне, изменены или стертые, талон признается недействительным.

www.oursson.ru

